



STERLING®

COMMERCIAL HYDRONIC PRODUCTS

CUSTOM APPLICATIONS AND SPECIAL ENCLOSURES



CUSTOM APPLICATIONS AND SPECIAL ENCLOSURES

Sterling, the leader in the industry with the most diverse and complete line of finned tube products, is also the best choice for custom finned tube applications. With its top-notch engineering staff and experienced customer service support, Sterling is the number one choice of architects, building owners and design engineers across North America.

The following is just a small sample of Sterling's custom enclosures over the last 70 years. Contact Sterling today for help with your special applications – limited only by your imagination.



260 North Elm St., Westfield, MA 01089

Tel: (413) 564-5535 Fax: (413) 562-8437

www.sterlingheat.com

CONTENTS

Custom Induction Unit Cabinet 78020A

Custom JV-RS11 8" Depth C33 83229C

Custom Radiator Cover Typical Bay Installation ISO 64988B

DVDB 7 ½" To-Floor Louvered Inlet R02 85682A

DVDB R02 81331

JV-14 6" Depth To-Floor Louvered Inlet Removable Front C3/4-434 81063C

JV-ARFT Extruded Aluminum Grille Inlet 24 ½" Height 6" Depth C3/4-435 3-Tier with Sill Extension 85856C

JV-ARS PM 5 ½" Depth C44 80911B

JVB-2PM C3/4-434 with Adjustable Bracket 85912

JVB-2PM18 To-Wall Louvered Inlet C3/4-434 with Adjustable Element Support Knee-Wall Mounted 86900E

JVB-ARPM12 C45 2-Tier 88669

JVB-RS35 10" Depth x 35" Height C3/4-435 2-Wide 4-High 64236A

Notched Wall Sleeve to Clear Square Column 80698C

Slip Jointed Accessory Halves for Round Column 67512

Slip Jointed Accessory Halves for Square Column 83122A

Underlapping Enclosure Supports Column Mounted 85136B

VB-AR10 To-Floor Extruded Aluminum Grille Inlet 7 ½" Depth Mullion Mount ISO 78274D

V-T 21 ¾" Height x 20 ½" Depth Cabinet with Removable Front 90505

JVB-T14 Curved Installation Plan View C144 78839B

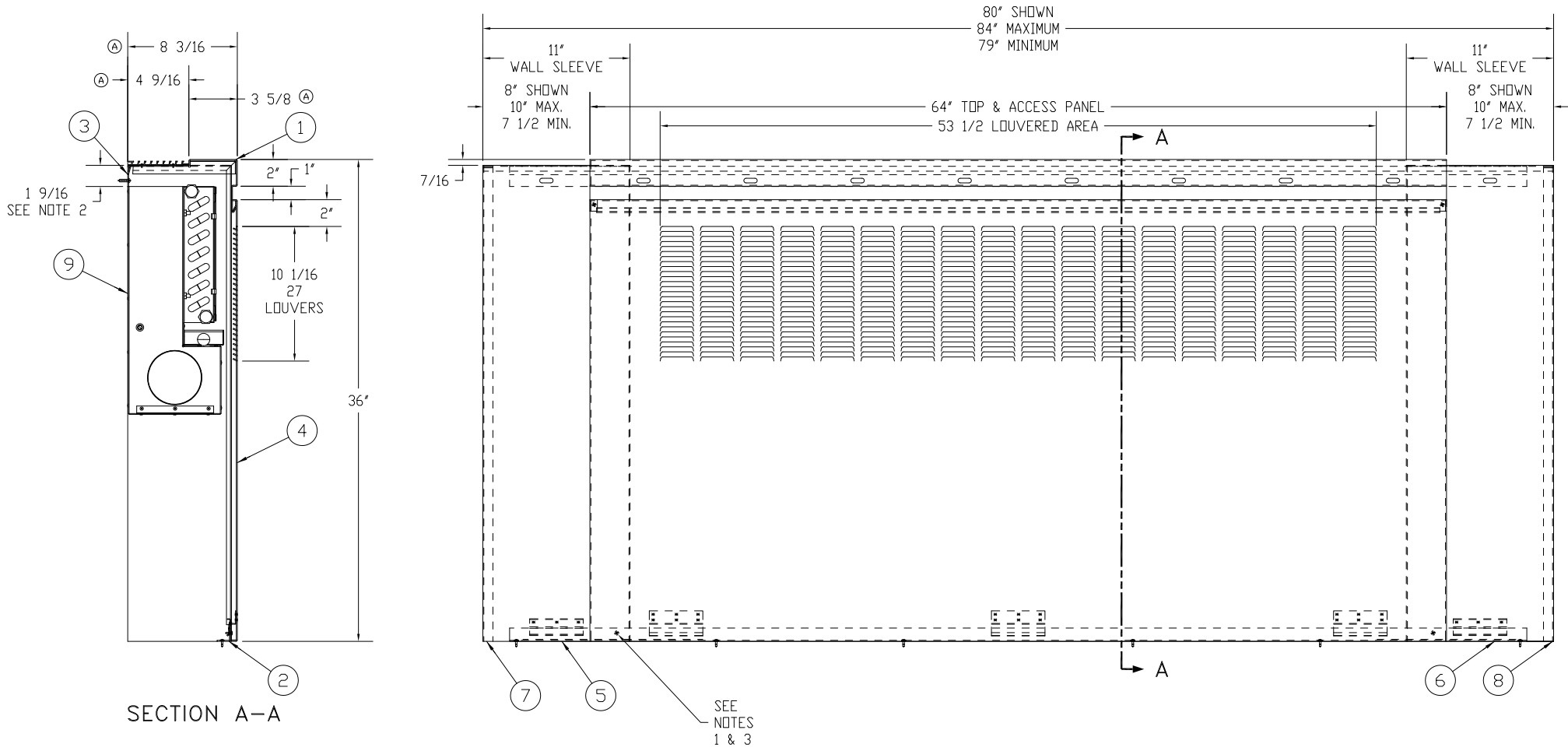
JVA-S11 Segmented Curve Plan View 83231

JVB-PM Outside Radius Curve Installation Plan View 85493A

Trough 20" Depth 20" Width C435 2-Wide 2-High 90184

Trough 12" Depth 13" Width C43 with Return Opposite Side 86167

Raised Floor Trough 14" Depth 10" Width C3/4-35 with Adjustable Base Assembly 83816



SECTION A-A

SEE NOTES 1 & 3

NOTES:

1. UNLESS OTHERWISE SPECIFIED FASTENERS ARE BY OTHERS.
2. DISTANCE BETWEEN INDUCTION UNIT AND BOTTOM OF GRILLE CAN BE REDUCED TO 1" BY INSTALLING HANGING STRIP PRIOR TO INSTALLING INDUCTION UNIT.
3. DRILL & SECURE WALL SLEEVES TO FLOOR ANGLE. DRILL & SECURE TOP ASS'Y TO WALL SLEEVES.

THIS PRINT AND ALL INFORMATION APPEARING THEREIN IS THE PROPERTY OF MESTEK INC. NEITHER THE PRINT NOR THE INFORMATION THEREIN MAY BE REPRODUCED OR USED IN ANY MANNER WHATSOEVER OR DIVULGED TO ANY OTHER PERSON UNLESS SPECIFICALLY AUTHORIZED BY MESTEK INC.

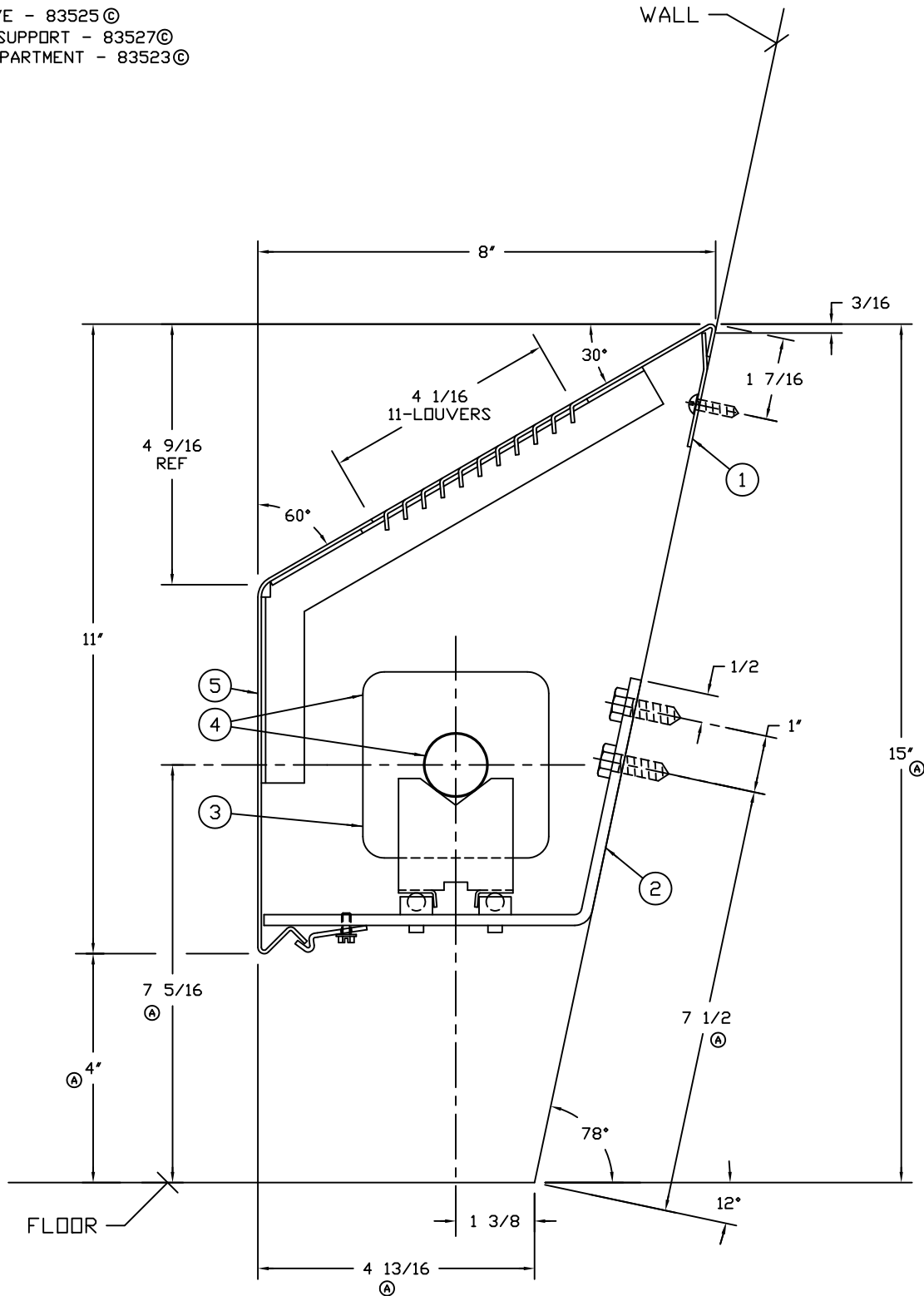
ITEM	DESCRIPTION	DWG. NUMBER	MATERIAL
9	FMTBY UNIT	-	AS SPECIFIED
8	RH WALL SLEEVE SUPPORT	-	14 GA CRS
7	LH WALL SLEEVE SUPPORT	-	14 GA CRS
6	RH WALL SLEEVE	-	14 GA CRS
5	LH WALL SLEEVE	-	14 GA CRS
4	ACCESS PANEL ASS'Y	-	14 GA CRS
3	HANGER STRIP x 76"	-	16 GA CRS
2	FLOOR ANGLE 1' x 1' x 76"	-	14 GA CRS
1	ENCLOSURE TOP ASS'Y	-	14 GA CRS

HYDRONIC HEATING PRODUCTS		C	
260 North Elm St. Westfield, Mass. 01085 DIVISION OF MESTEK, INC.			
DATE	12/7/11	JOB NAME	ST. PETER'S HOSPITAL
DRN. BY	MDG	PH 3	
CHK. BY	RJP	ELEMENT	-
SCALE	1=6	TITLE	CUSTOM ENCLOSURE INSTALLATION
		DWG. NO.	78020
		REV.	A

A	N/A	CHANGED DEPTH. 8 3/16 WAS 11' 4 9/16 WAS 4 5/8, 3 5/8 WAS 6 7/16.	5/30/12	SFL	
LET.	ECN NO.	REVISION	DATE	BY	APVD.

ACCESSORIES:

- 6" WALL SLEEVE - 83525 ©
- WALL SLEEVE SUPPORT - 83527 ©
- 12" VALVE COMPARTMENT - 83523 ©



NOTES:

1. ENCLOSURE IS SLIP JOINTED.
2. UNLESS OTHERWISE SPECIFIED FASTENERS ARE BY OTHERS.
- Ⓐ 3. 2ND AND 3RD FLOOR

⑤	ENCLOSURE ASS'Y	Ⓒ 83520	16 GA CRS
4	ELEMENT - SEE BELOW	23261	CU/ALUM
3	CRADLE #2	8740	18 GA GALV
②	BRACKET ASS'Y	Ⓑ 83255	AS SPECIFIED
1	HANGER STRIP	48613	16 GA CRS
ITEM	DESCRIPTION	DWG NUMBER	MATERIAL

Sterling Hydronic Products
260 North Elm Street Westfield, MA 01085
Division of Mestek, Inc.

DATE: 4/8/14 JOB NAME: **Blenen FT-2**

DRN BY: MDG
CKD BY: SFL
SCALE: 1=1.5

ELEMENT: C33 1" COPPER TUBE
3 1/4 x 3 1/4 ALUMINUM FIN .020 32/FT

TITLE: INSTALLATION DWG NO: 83229 REV: C
CUSTOM JV-RS11, 8D

THIS PRINT AND ALL INFORMATION APPEARING THEREON IS THE PROPERTY OF MESTEK INC. NEITHER THE PRINT NOR THE INFORMATION THEREON MAY BE REPRODUCED OR USED IN ANY MANNER WHATSOEVER OR DIVULGED TO ANY OTHER PERSON UNLESS SPECIFICALLY AUTHORIZED BY MESTEK INC.

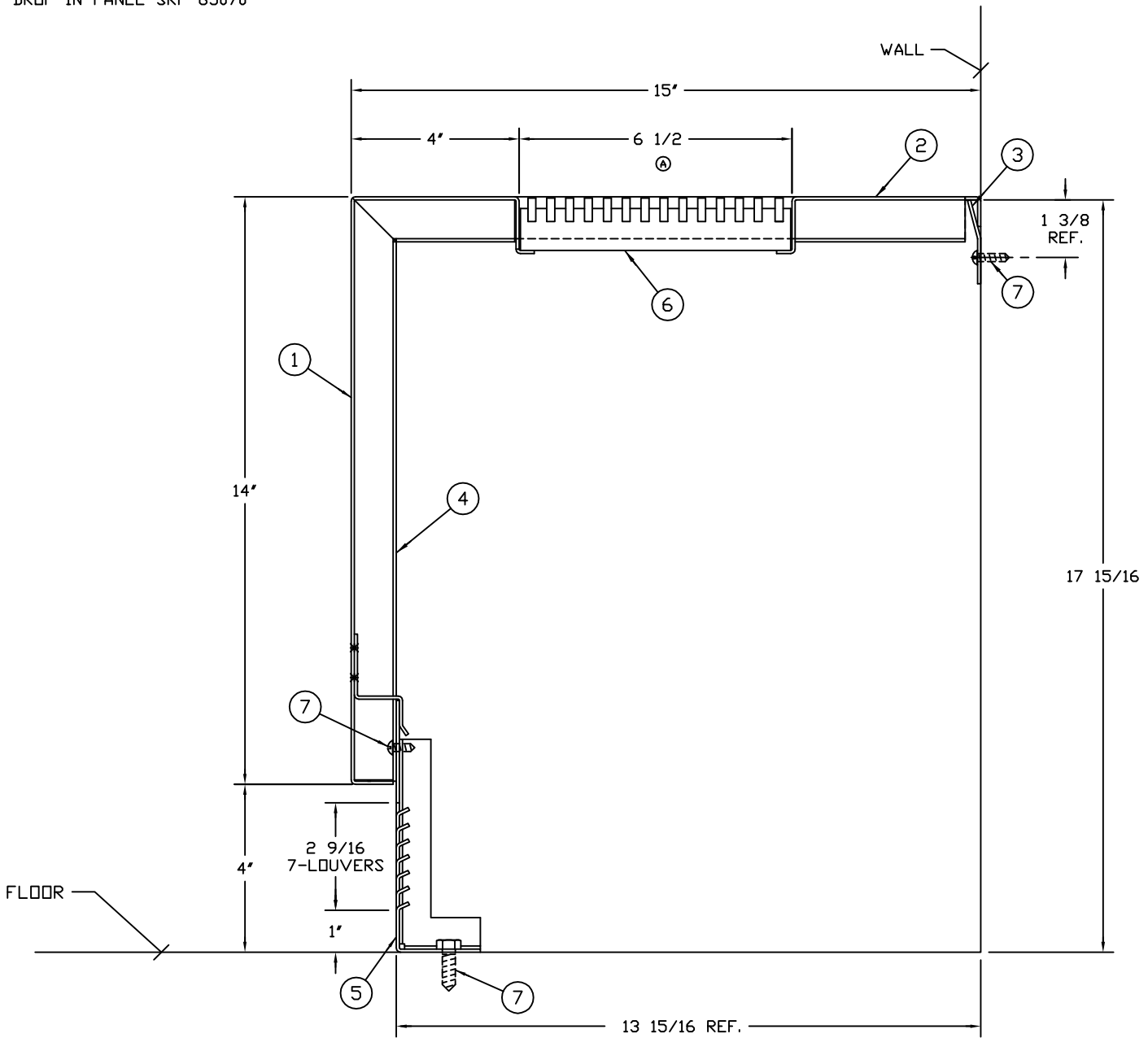
C	N/A	ADDED DETAILS	5/7/14	SFL	
B	N/A	ADDED ITEM 2 DWG NUMBER	4/10/14	SFL	RJP
A	N/A	CHANGED INLET HEIGHT, 4" WAS 7", 15" WAS 18", 7 1/2 WAS 10 9/16, 4 13/16 WAS 4 3/16, 7 5 16 WAS 10 5/16	4/10/14	SFL	RJP
LET	ECN NO	REVISION	DATE	BY	APVD

ACCESSORIES: (OVERLAPPING)

- Ⓐ 6" WALL SLEEVE SRP-65075
- DROP-IN PANEL SRP-65070

64988

A



NOTE:

- TOP & FRONT VIEW OF INSTALLATION SRP-64989

7	FASTENERS BY OTHERS		STEEL
6	CARNES ALUMINUM GRILLE - BY OTHERS		
Ⓔ	2" x 6" ANGLE ASS'Y	Ⓐ SRP-65071	14 GA CRS
Ⓓ	6" MULLION	Ⓐ SRP-65073	14 GA CRS
3	2" PARTIAL BACKPLATE	SRP-42856	14 GA CRS
Ⓒ	ENCLOSURE REAR	Ⓐ SRP-65068	14 GA CRS
Ⓘ	ENCLOSURE ASS'Y - FRONT	Ⓐ SRP-65065	14 GA CRS
ITEM	DESCRIPTION	DWG. NUMBER	MATERIAL

HYDRONIC HEATING PRODUCTS
260 North Elm St. Westfield, Mass. 01085
DIVISION OF MESTEK, INC.

C

DATE	5/21/04	JOB NAME	U.S. CUSTOMS-PORT NEWARK, NJ
DRN. BY	STL	ELEMENT	NOT SPECIFIED
CHKD. BY	RJP	SCALE	1=2

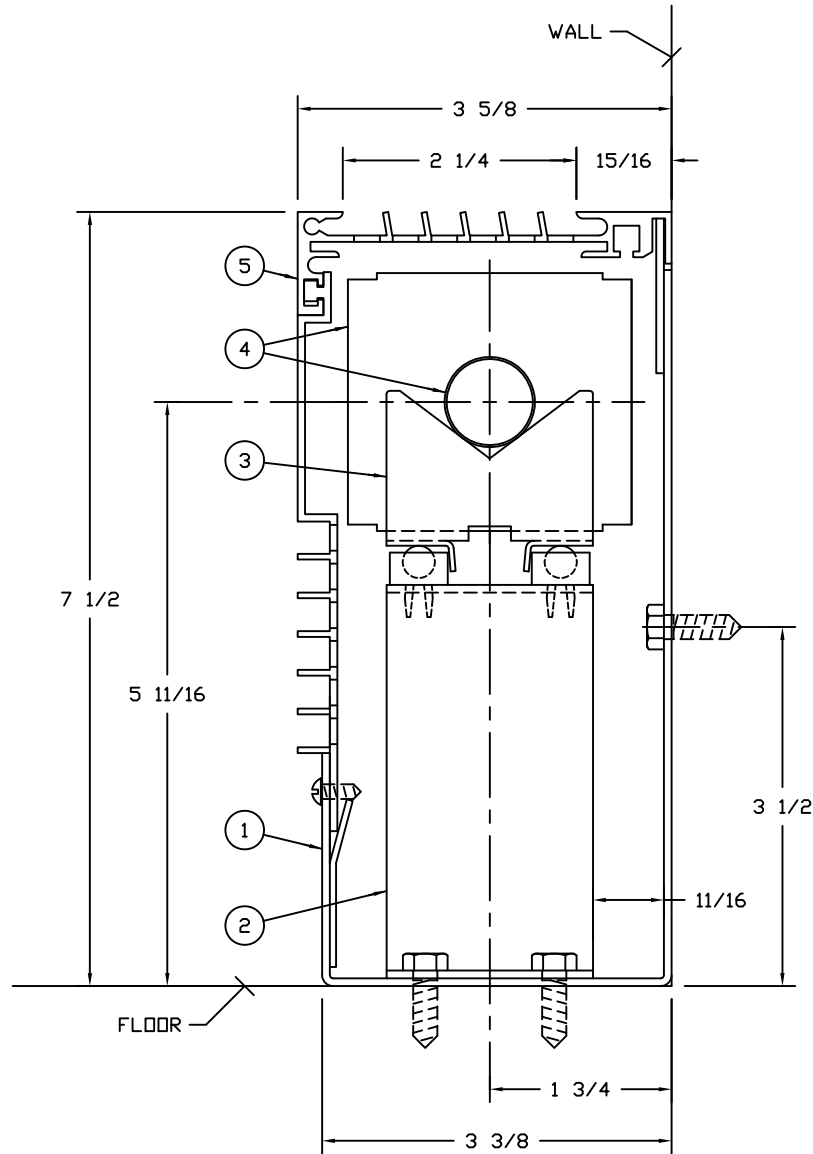
B	N/A	ITEM-2 & 4 CHANGED PICTORIALY	8/31/04	SL				
A	N/A	6 1/2 WAS 6', ADDED ALL DETAILS	6/7/04	SL	RJP			
LET.	ECN NO.	REVISION	DATE	BY	APVD.	TITLE	DWG. NO.	REV.
						CUSTOM ENCLOSURE INSTALLATION	SRP-64988	B

THIS PRINT AND ALL INFORMATION APPEARING THEREON IS THE PROPERTY OF THE STERLING RADIATOR DIVISION OF MESTEK INC. NEITHER THE PRINT NOR THE INFORMATION THEREON MAY BE REPRODUCED OR USED IN ANY MANNER WHATSOEVER OR DIVULGED TO ANY OTHER PERSON UNLESS SPECIFICALLY AUTHORIZED BY MESTEK INC.

ACCESSORIES: (OVERLAPPING)

-
-
-

85682
A



TYPE B

NOTES:

1. ITEM 1 BASE/BACKPLATE IS SLIP JOINTED.
2. UNLESS OTHERWISE SPECIFIED FASTENERS ARE BY OTHERS.
3. DESIGN IS NOT RECOMMENDED BY STERLING.

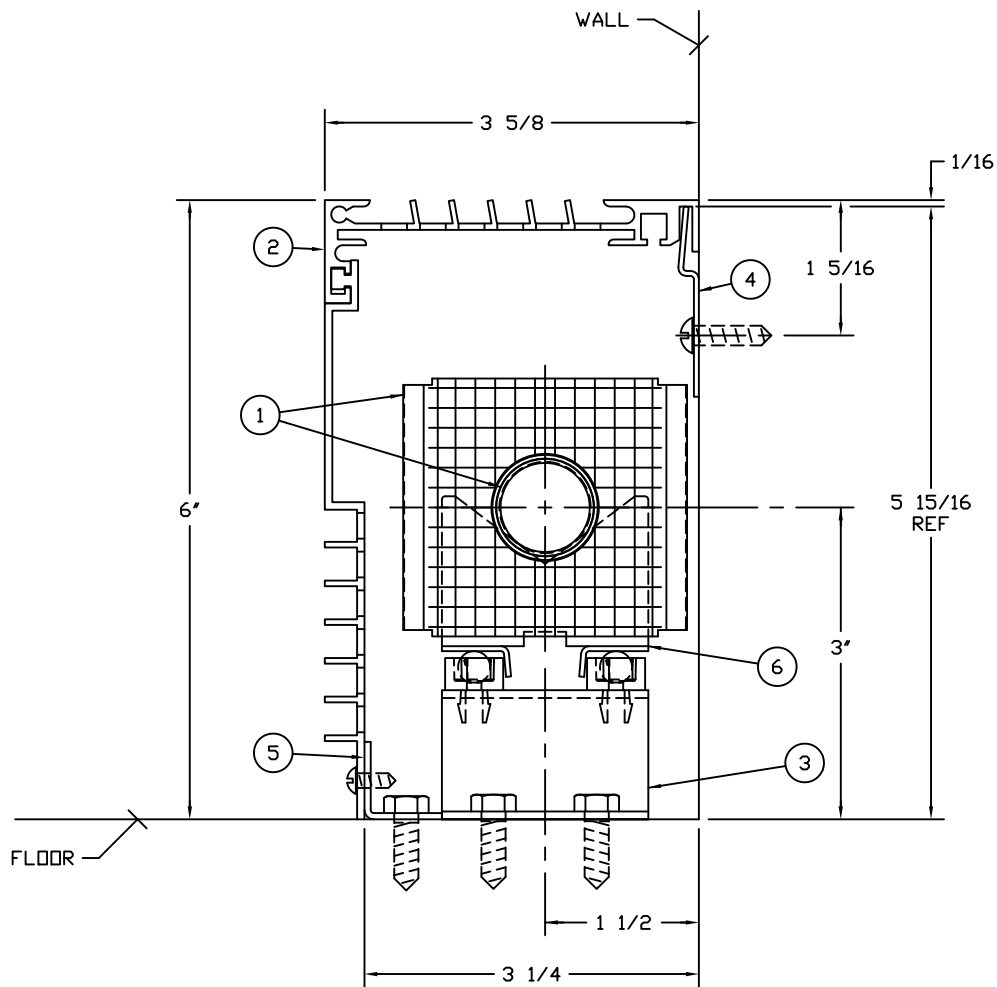
⑤	ENCLOSURE ASS'Y	73369	EXT ALU
4	ELEMENT - SEE BELOW	49259	CU/ALU
3	CRADLE #1	8739	18 GA GAL
②	ZEE BRACKET ASS'Y (A)	71446-048	14 GA CRS
①	BASE/BACKPLATE ASS'Y (A)	85947	12 GA ALU
ITEM	DESCRIPTION	DWG NUMBER	MATERIAL

Sterling Hydronic Products
280 North Elm Street Westfield, MA 01085
Division of  Mestek, Inc.

DATE: 1/30/15	JOB NAME:	<h2>Rutgers</h2>
DRN BY: RJP	ELEMENT: R02	
CKD BY: SFL	3/4 COPPER TUBE	
SCALE: 1=1	2 3/4 x 2 1/2 ALUMINUM FIN .010 60/FT	

A	N/A	ADDED REQUESTED DETAILS	3/9/15	RJP		TITLE: INSTALLATION	DWG NO:	REV
LET	ECN NO	REVISION	DATE	BY	APVD	DVDB-7 1/2 TF	85682	A

THIS PRINT AND ALL INFORMATION APPEARING THEREON IS THE PROPERTY OF MESTEK INC. NEITHER THE PRINT NOR THE INFORMATION THEREON MAY BE REPRODUCED OR USED IN ANY MANNER WHATSOEVER OR DIVULGED TO ANY OTHER PERSON UNLESS SPECIFICALLY AUTHORIZED BY MESTEK INC.



NOTES:

- 1. UNLESS OTHERWISE SPECIFIED FASTENERS ARE BY OTHERS.
- 2. STANDARD LENGTHS 73369
SPECIAL LENGTHS 79172

ITEM	DESCRIPTION	DWG. NUMBER	MATERIAL
6	CRADLE #1	8739	18 GA GALV
⑤	3/4 x 3/4 FLOOR ANGLE	47065	16 GA GALV
4	B-610 HANGER STRIP	12930	18 GA GALV
③	ZEE BRACKET ASS'Y	71446-25	14 GA GALV
②	ENCLOSURE ASS'Y	SEE NOTE-2	ALUMINUM
1	ELEMENT - SEE BELOW	49259	AS SPECIFIED

Sterling Hydronic Products
260 North Elm St. Westfield, Mass. 01085
DIVISION OF MESTEK, INC.

DATE	6/19/13	JOB NAME	Rutgers Food & Nutrition
DRN BY	SFL	ELEMENT	R02
CKD BY	-		3/4 COPPER TUBE
SCALE	1=1		2 3/4 x 2 1/2 ALUMINUM FIN .010 60/FT
TITLE	INSTALLATION	DWG. NO.	81331
	DVDB	REV.	-

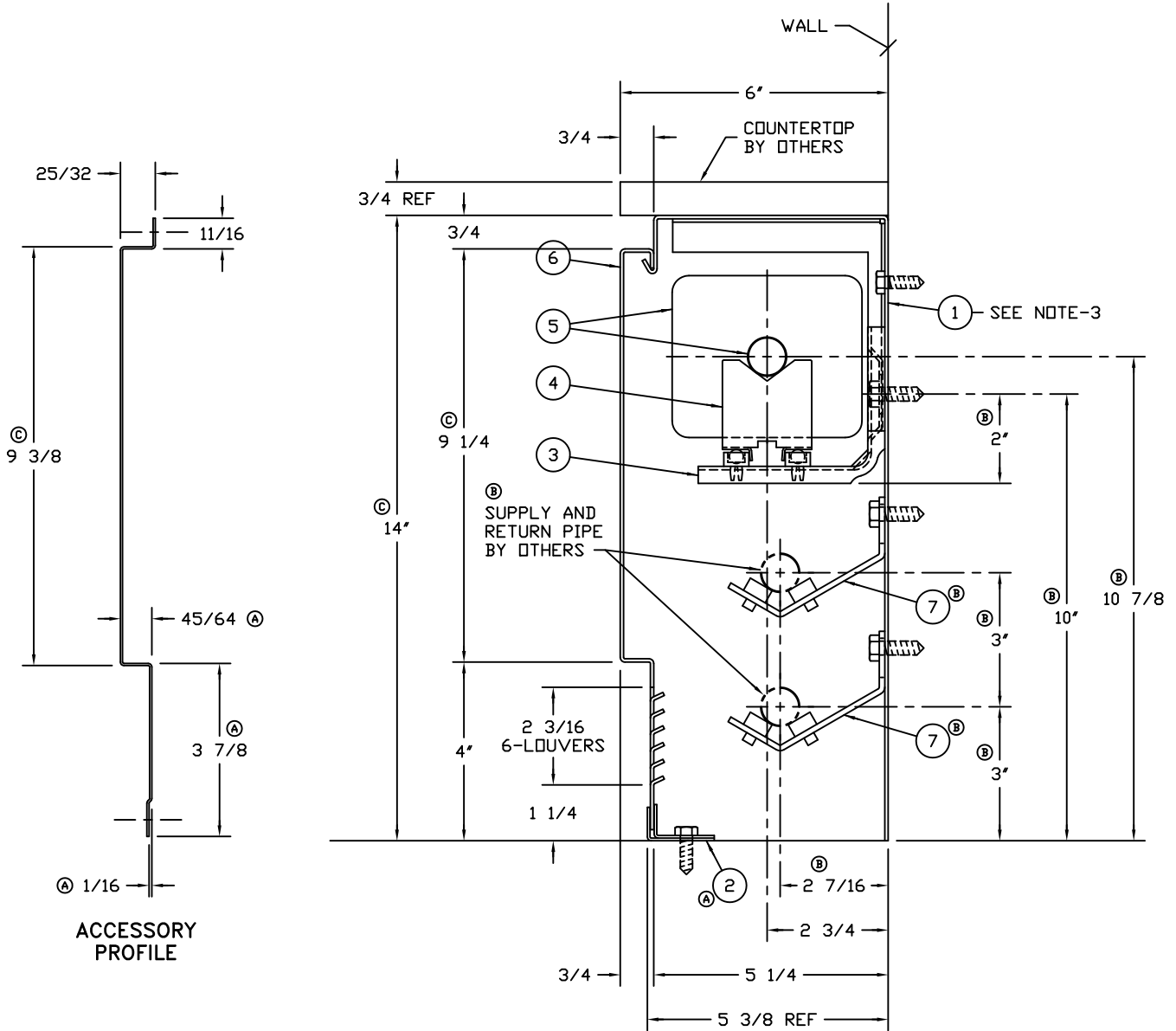
THIS PRINT AND ALL INFORMATION APPEARING THEREON IS THE PROPERTY OF MESTEK INC. NEITHER THE PRINT NOR THE INFORMATION THEREON MAY BE REPRODUCED OR USED IN ANY MANNER WHATSOEVER OR DIVULGED TO ANY OTHER PERSON UNLESS SPECIFICALLY AUTHORIZED BY MESTEK INC.

LET.	ECN NO.	REVISION	DATE	BY	APVD.
-	-	-	-	-	-

ACCESSORIES: (OVERLAPPING)

- 3' END CAP
- 2' WALL SLEEVE
- 90° INSIDE CORNER

81063
C



NOTES:

1. ENCLOSURE IS SLIP JOINTED. Ⓐ
2. UNLESS OTHERWISE SPECIFIED FASTENERS ARE BY OTHERS.
3. ITEM-1 TO HAVE RECTANGULAR OPENINGS IN TOP AS SPECIFIED FOR BAR GRILLES BY OTHERS.

ITEM	DESCRIPTION	DWG NUMBER	MATERIAL
Ⓑ	7 PIPE HANGER ASS'Y	36933	1/8 GALV
Ⓒ	6 ENCLOSURE ASS'Y	-	14 GA CRS
	5 ELEMENT - SEE BELOW	21859	CU/ALUM
	4 CRADLE #2	8740	18 GA GALV
	3 WALL HANGER ASS'Y	30760	14 GA GALV
Ⓐ	2 FLOOR ANGLE ASS'Y	-	16 GA CRS
Ⓐ	1 FULL BACKPLATE ASS'Y	Ⓒ 83016	14 GA CRS

Sterling Hydronic Products
280 North Elm Street Westfield, MA 01085
Division of Mestek, Inc.

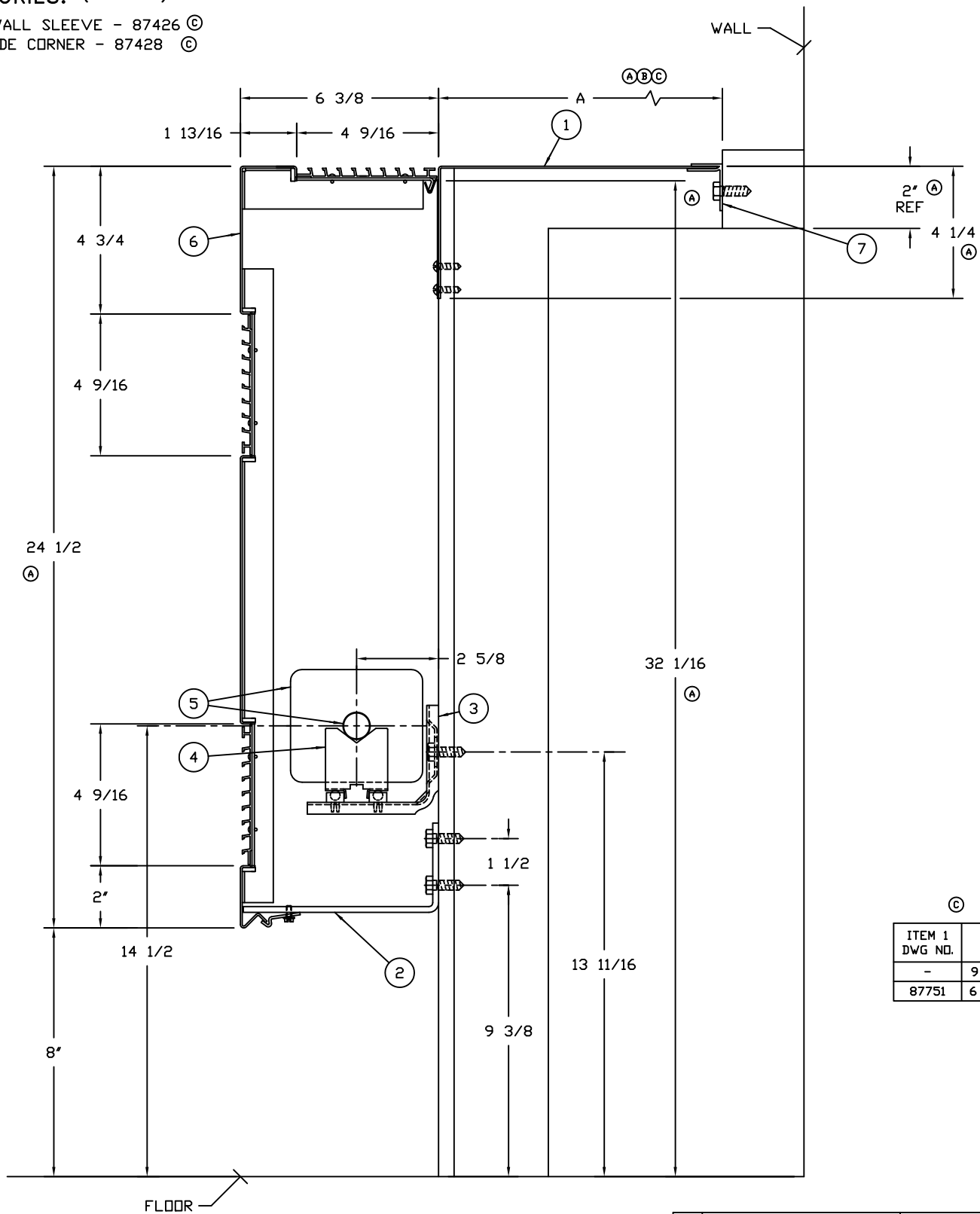
LET	ECN NO	REVISION	DATE	BY	APVD	TITLE	DWG NO	REV
C	N/A	JV-14 WAS V-15, 14" WAS 15", 9 1/4 WAS 10 1/4, 9 3/8 WAS 10 3/8, ADDED ITEM 1 DWG NUMBER	2/20/14	RJP		U of M South Quad		
B	N/A	RAISED ELEMENT AND ADDED ITEM-7	1/8/14	RJP	SFL	ELEMENT: C3/4 434 3/4 COPPER TUBE		
A	N/A	CORRECTED NOTE-1, ITEM-2 WAS INTERNAL 14 GA FLOOR ANGLE, REVISED ACCESSORY PROFILE DIMS	6/19/13	RJP	SFL	4 1/4 x 3 5/8 ALUMINUM FIN .0135 40/FT		
						INSTALLATION	81063	C

THIS PRINT AND ALL INFORMATION APPEARING THEREON IS THE PROPERTY OF MESTEK INC. NEITHER THE PRINT NOR THE INFORMATION THEREON MAY BE REPRODUCED OR USED IN ANY MANNER WHATSOEVER OR DIVULGED TO ANY OTHER PERSON UNLESS SPECIFICALLY AUTHORIZED BY MESTEK INC.

ACCESSORIES: (OVERLAPPING)

- 8 3/8 WALL SLEEVE - 87426 ©
- 90° INSIDE CORNER - 87428 ©

85856
C



ITEM 1 DWG NO.	A
-	9 1/8
87751	6 3/4

FR2DD

NOTES:

- ENCLOSURE IS SLIP JOINTED.
- UNLESS OTHERWISE SPECIFIED FASTENERS ARE BY OTHERS.

Water Rating:
590 Btu/Lin Ft/Hr
125°F. Average Water
65°F. Entering Air

ITEM	DESCRIPTION	DWG NUMBER	MATERIAL
7	EXTRUDED FLOOR ANGLE	15119	EXTR ALUM
6	ENCLOSURE ASS'Y	87422	16 GA CRS
5	ELEMENT - SEE BELOW	21860	AS SPEC
4	CRADLE #2	8740	18 GA GALV
3	WALL HANGER ASS'Y	30760	AS SPEC
2	BRACKET ASS'Y	85065	3/16 CRS
1	SILL EXTENSION ASS'Y	SEE TABLE	16 GA CRS

Sterling Hydronic Products
280 North Elm Street Westfield, MA 01085
Division of Mestek, Inc.

DATE: 2/27/15 JOB NAME: U of M ACC

DRN BY: MDG
CKD BY: SFL
SCALE: 1=2.5
ELEMENT: C3/4-435 3/4 COPPER TUBE
3 5/8 x 4 1/4 ALUMINUM FIN .020 50/FT

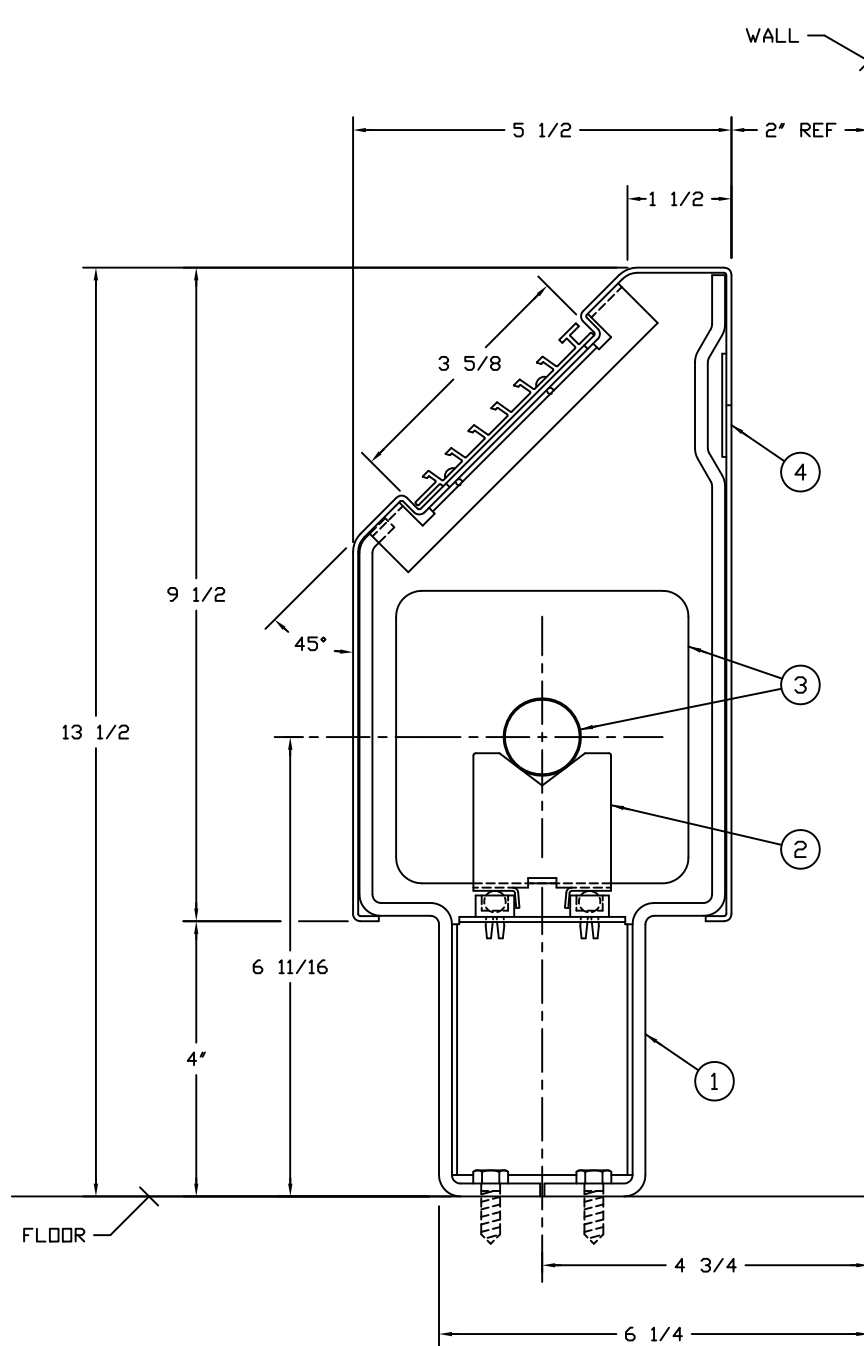
LET	ECN NO	REVISION	DATE	BY	APVD	TITLE	DWG NO	REV
C	N/A	ADDED TABLE AND DETAILS	8/31/15	SFL		INSTALLATION	85856	C
B	N/A	9 1/8 WAS 11"	7/24/15	SFL	RJP			
A	N/A	24 1/2 WAS 23 1/2, REV'D SILL	6/9/15	MDG	SFL			

THIS PRINT AND ALL INFORMATION APPEARING THEREON IS THE PROPERTY OF MESTEK INC. NEITHER THE PRINT NOR THE INFORMATION THEREON MAY BE REPRODUCED OR USED IN ANY MANNER WHATSOEVER OR DIVULGED TO ANY OTHER PERSON UNLESS SPECIFICALLY AUTHORIZED BY MESTEK INC.

ACCESSORIES: (OVERLAPPING)

- 3" END CAP
- Ⓐ 4" WALL SLEEVE 82198
- Ⓢ END CAP W/AD 83188

80911
B



NOTES:

- 1. ENCLOSURE IS SLIP JOINTED.
- 2. UNLESS OTHERWISE SPECIFIED FASTENERS ARE BY OTHERS.

ITEM	DESCRIPTION	DWG NUMBER	MATERIAL
Ⓐ	ENCLOSURE ASS'Y	82194	14 GA CRS
3	ELEMENT - SEE BELOW	21863	CU/ALUM
2	CRADLE #2	8740	18 GA GALV
Ⓢ	BRACKET ASS'Y	82191	AS SPECIFIED

Sterling Hydronic Products 260 North Elm Street Westfield, MA 01085 Division of Mestek, Inc.		C
DATE: 5/1/13	JOB NAME: Logan Airport	
DRN BY: MDG	ELEMENT: C44	1" COPPER TUBE
CKD BY: SFL	SCALE: 1=1.5	4 1/4 x 4 1/4 ALUMINUM FIN .020 40/FT
TITLE: INSTALLATION		DWG NO: 80911
JV-ARS-PM 5 1/2D		REV: B

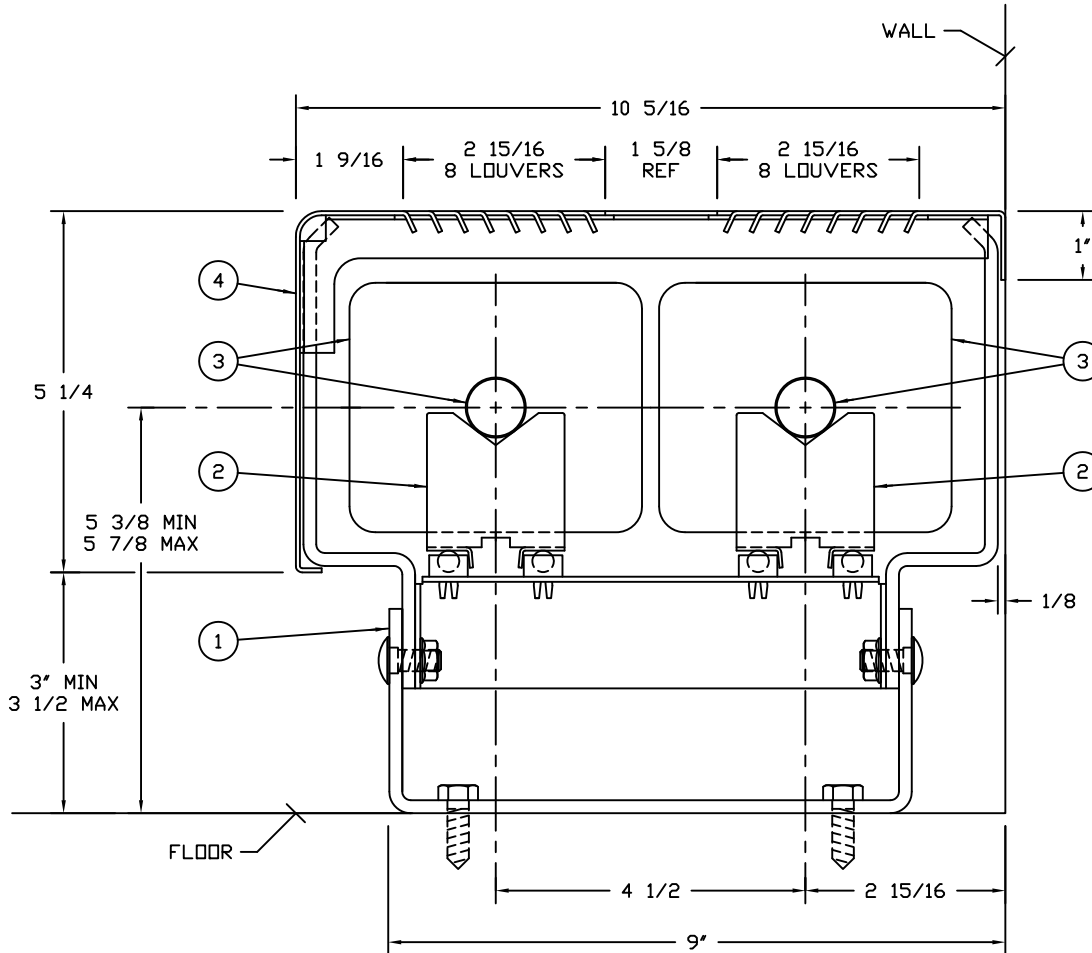
THIS PRINT AND ALL INFORMATION APPEARING THEREON IS THE PROPERTY OF MESTEK INC. NEITHER THE PRINT NOR THE INFORMATION THEREON MAY BE REPRODUCED OR USED IN ANY MANNER WHATSOEVER OR DIVULGED TO ANY OTHER PERSON UNLESS SPECIFICALLY AUTHORIZED BY MESTEK INC.

B	N/A	ADDED END CAP W/AD ACCESSORY	3/27/14	RJP	
A	N/A	ADDED DETAILS	10/25/13	MDG	SFL
LET	ECN NO	REVISION	DATE	BY	APVD

ACCESSORIES: (OVERLAPPING)

- 3" END CAP
- 6" WALL SLEEVE
- 90° INSIDE CORNER
- 135° INSIDE CORNER

85912
-



NOTES:

1. ENCLOSURE IS SLIP JOINTED.
2. UNLESS OTHERWISE SPECIFIED FASTENERS ARE BY OTHERS.
3. FOR MOCK UP 16 GA CRS ENCLOSURE ASS'Y SEE DWG 85550.
4. FOR ACCESSORY SUBMITTALS SEE DWGS 85555, 85556 & 85557.
5. FOR OTHER BRACKET ADJUSTMENT RANGES SEE DWGS 85008, 85531 & 85911.

Water Rating:
1,000 Btu/Lin Ft/Hr
160°F. Average Water
65°F. Entering Air

ITEM	DESCRIPTION	DWG NUMBER	MATERIAL
④	ENCLOSURE ASS'Y	-	14 GA ALUM
3	ELEMENT - SEE BELOW	21859	CU/ALUM
2	CRADLE #2	8740	18 GA GALV
①	BRACKET ASS'Y	-	AS SPEC

Sterling Hydronic Products
260 North Elm Street Westfield, MA 01085
Division of Mestek, Inc.

DATE: 3/6/15 JOB NAME: **Bristol Meyers D**
 DRN BY: MDG
 CKD BY: - ELEMENT: C3/4-434 3/4 COPPER TUBE
 SCALE: 1=1.5 3 5/8 x 4 1/4 ALUMINUM FIN .020 40/FT

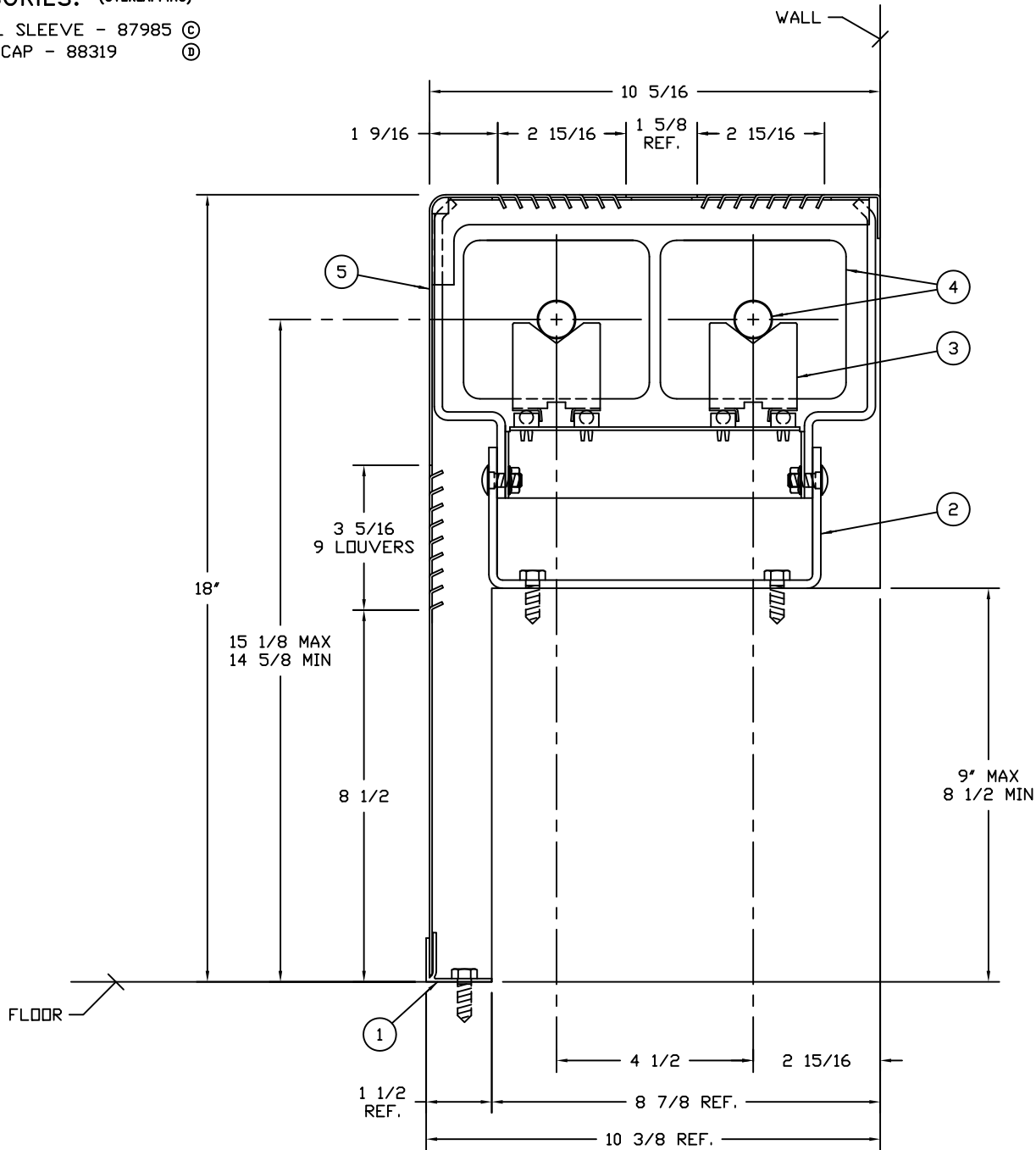
THIS PRINT AND ALL INFORMATION APPEARING THEREON IS THE PROPERTY OF MESTEK INC. NEITHER THE PRINT NOR THE INFORMATION THEREON MAY BE REPRODUCED OR USED IN ANY MANNER WHATSOEVER OR DIVULGED TO ANY OTHER PERSON UNLESS SPECIFICALLY AUTHORIZED BY MESTEK INC.

LET	ECN NO	REVISION	DATE	BY	APVD	TITLE	DWG NO	REV
-	-	-	-	-	-	INSTALLATION JVB-2PM TW	85912	-

ACCESSORIES: (OVERLAPPING)

- 6" WALL SLEEVE - 87985 ©
- 3" END CAP - 88319 ⓓ

86900
E



NOTES:

1. ENCLOSURE IS SLIP JOINTED.
2. UNLESS OTHERWISE SPECIFIED FASTENERS ARE BY OTHERS.
3. ACCESSORIES ARE MADE TO FLOOR, TRIMMED/NOTCHED IN THE FIELD BY OTHERS TO SUIT THE JOB CONDITIONS.
- Ⓐ 4. SEE DRAWINGS 87905 THRU 87909 FOR COLUMN WALL SLEEVES.
- Ⓐ 5. SEE DRAWINGS 87910 & 87911 FOR CUSTOM 145° CORNERS.
- Ⓐ 6. SEE DRAWINGS 88576 & 88577 FOR CUSTOM 148° CORNERS.

Water Rating:
1000 Btu/Lin Ft/Hr
160°F. Average Water
65°F. Entering Air

ITEM	DESCRIPTION	DWG NUMBER	MATERIAL
Ⓞ	ENCLOSURE ASS'Y	Ⓑ 87924	14 GA ALUM
4	ELEMENT - SEE BELOW	21859	CU/ALU
3	CRADLE #2	8740	18 GA GAL
Ⓜ	BRACKET ASS'Y	Ⓑ 87926	AS SPEC
1	FLOOR ANGLE	15119	ALUMINUM

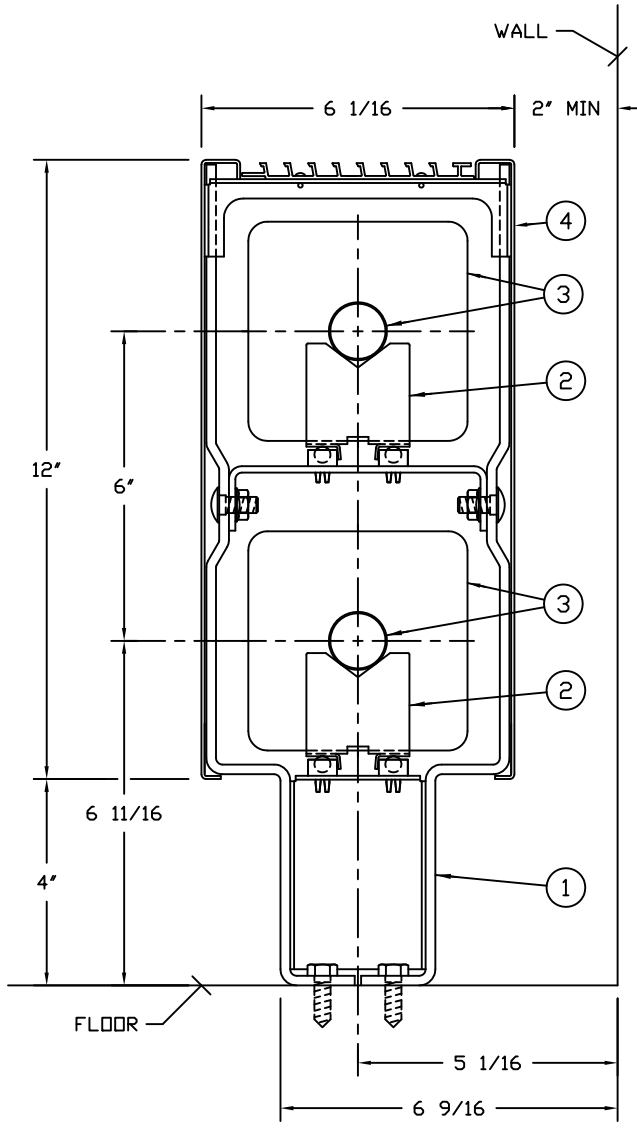
Sterling Hydronic Products
260 North Elm Street Westfield, MA 01085
Division of Mestek, Inc.

E	N/A	ADDED NOTE 6	12/30/15	MDG	DATE	6/25/15	JOB NAME:
D	N/A	ADDED 3" END CAP	11/16/15	MDG	SFL	MDG	BRISTOL MEYERS - E
C	N/A	ADDED 6" WALL SLEEVE	9/25/15	SFL	MDG	SFL	
B	N/A	ADDED DETAILS	9/18/15	SFL	MDG	SFL	ELEMENT: C3/4-434 3/4 COPPER TUBE
A	N/A	EDITED NOTE 4, ADDED NOTE 5	9/15/15	SFL	MDG	SFL	3 5/8 x 4 1/4 ALUMINUM FIN .020 40/FT
LET	ECN NO	REVISION	DATE	BY	APVD	TITLE:	INSTALLATION JVB-2PM18 TWLI
						DWG NO:	86900
						REV	E

THIS PRINT AND ALL INFORMATION APPEARING THEREON IS THE PROPERTY OF MESTEK INC. NEITHER THE PRINT NOR THE INFORMATION THEREON MAY BE REPRODUCED OR USED IN ANY MANNER WHATSOEVER OR DIVULGED TO ANY OTHER PERSON UNLESS SPECIFICALLY AUTHORIZED BY MESTEK INC.

ACCESSORIES: (OVERLAPPING)

-
-
-



Water Rating:
1,350 Btu/Lin Ft/Hr
160°F. Average Water
65°F. Entering Air

NOTES:

1. ENCLOSURE IS SLIP JOINTED.
2. UNLESS OTHERWISE SPECIFIED FASTENERS ARE BY OTHERS.

④	ENCLOSURE ASS'Y	-	16 GA CRS
3	ELEMENT - SEE BELOW	21864	CU/ALU
2	CRADLE #2	8740	18 GA GAL
①	BRACKET ASS'Y	-	AS SPEC
ITEM	DESCRIPTION	DWG NUMBER	MATERIAL

Sterling Hydronic Products
280 North Elm Street Westfield, MA 01085
Division of Mestek, Inc.

DATE: 1/12/16	JOB NAME: Round Lake CUSD #116
DRN BY: RJP	ELEMENT: C45 1' COPPER TUBE
CKD BY: -	SCALE: 1=2 4 1/4 x 4 1/4 ALUMINUM FIN .020 50/FT

THIS PRINT AND ALL INFORMATION APPEARING THEREON IS THE PROPERTY OF MESTEK INC. NEITHER THE PRINT NOR THE INFORMATION THEREON MAY BE REPRODUCED OR USED IN ANY MANNER WHATSOEVER OR DIVULGED TO ANY OTHER PERSON UNLESS SPECIFICALLY AUTHORIZED BY MESTEK INC.

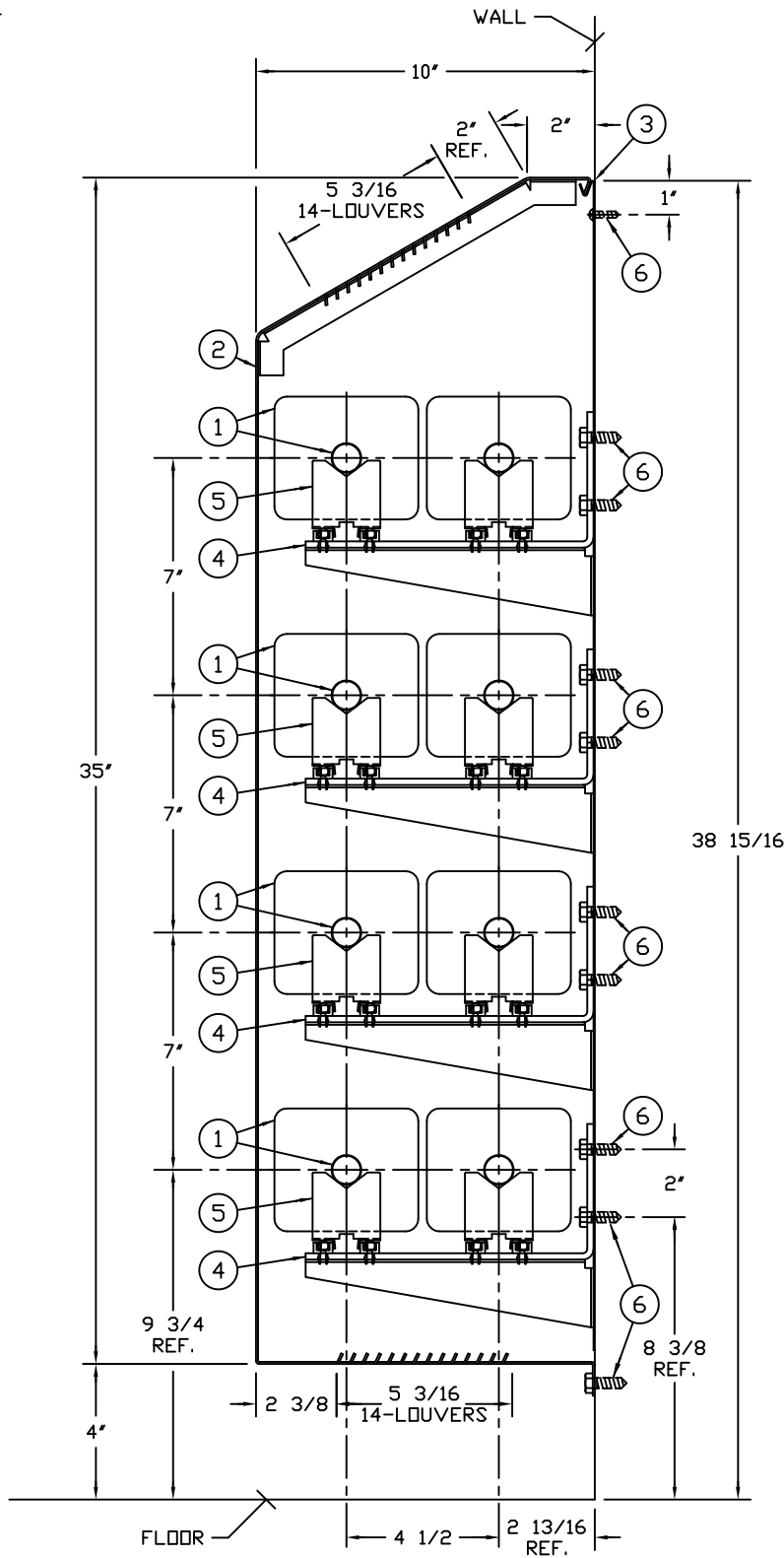
LET	ECN NO	REVISION	DATE	BY	APVD	TITLE: INSTALLATION JVB-ARPM12	DWG NO: 88669	REV: -
-----	--------	----------	------	----	------	--------------------------------	---------------	--------

ACCESSORIES:

Ⓐ 3' END CAP SRP-64311

64236

A



NOTE:

1. ENCLOSURE IS SLIP JOINTED

6	FASTENERS BY OTHERS		STEEL
5	CRADLE NO. 2	SRP-8740	18 GA .048 GALVANNEALED
④	WALL HANGER ASS'Y.	Ⓐ SRP-64305	AS SPECIFIED
③	FULL BACKPLATE	Ⓐ SRP-64308	20 GA .036 GALVANNEALED
②	ENCLOSURE ASS'Y.	Ⓐ SRP-64309	16 GA CRS
1	ELEMENT - SEE BELOW	SRP-21860	AS SPECIFIED
ITEM	DESCRIPTION	DWG. NUMBER	MATERIAL

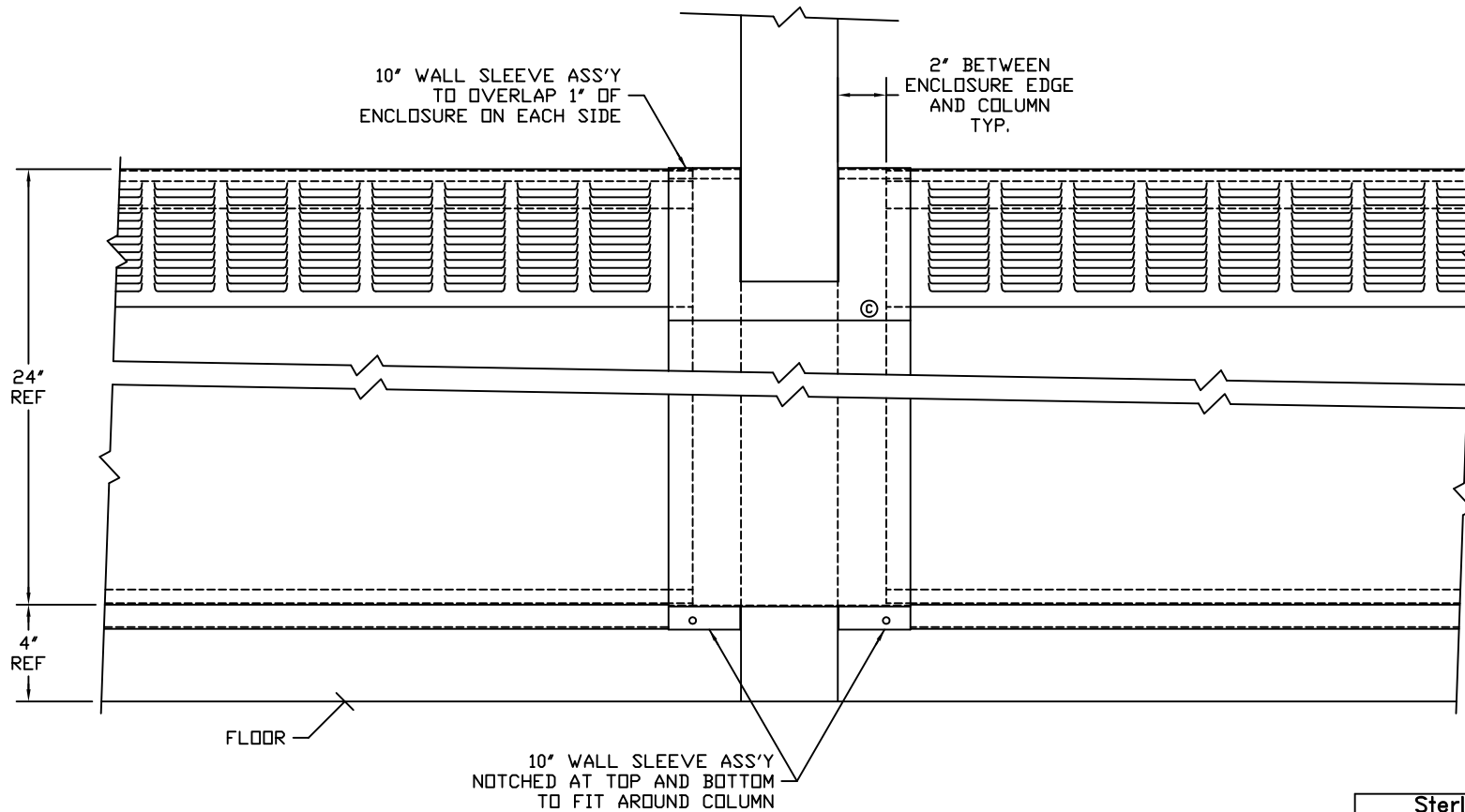
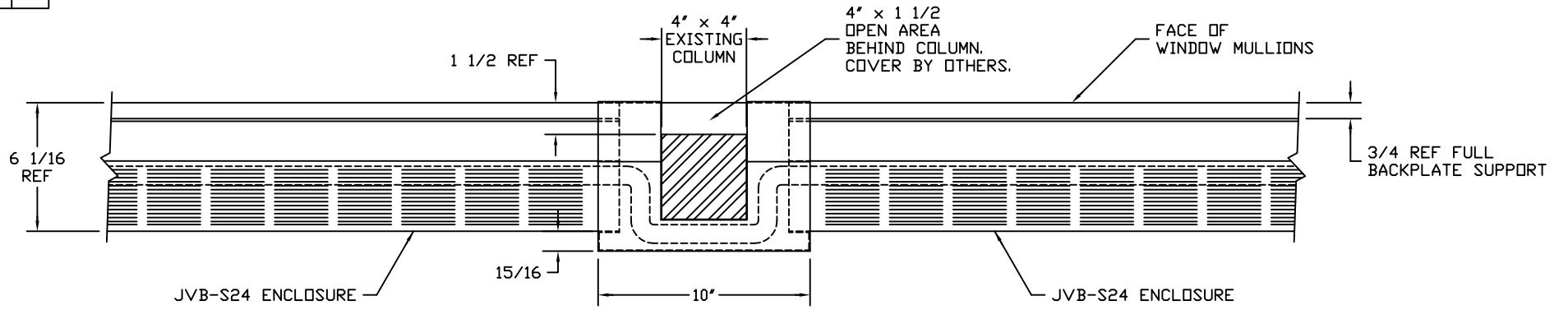
HYDRONIC HEATING PRODUCTS
 260 North Elm St. Westfield, Mass. 01085
 DIVISION OF MESTEK, INC.

C

DATE	10/22/03	JOB NAME	MAHAIWE PERFORMING ARTS
DRN BY	STL	ELEMENT	C3/4 435 #3/4 COPPER TUBE
CKD BY	RJP		4 1/4 x 3 5/8 ALUMINUM FIN .020 50/FT.
SCALE	1=3		

A	N/A	ADDED ALL DETAILS	11/11/03	RJP		TITLE	INSTALLATION	DWG. NO.	REV.
LET.	ECN NO.	REVISION	DATE	BY	APVD.	JVB-S35 RW LI	SRP-64236	A	

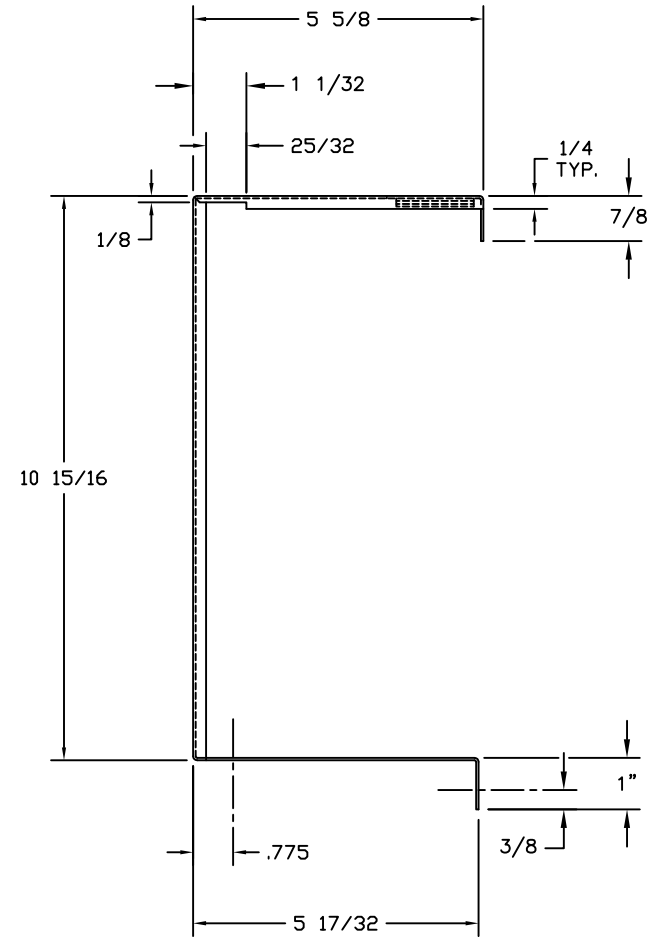
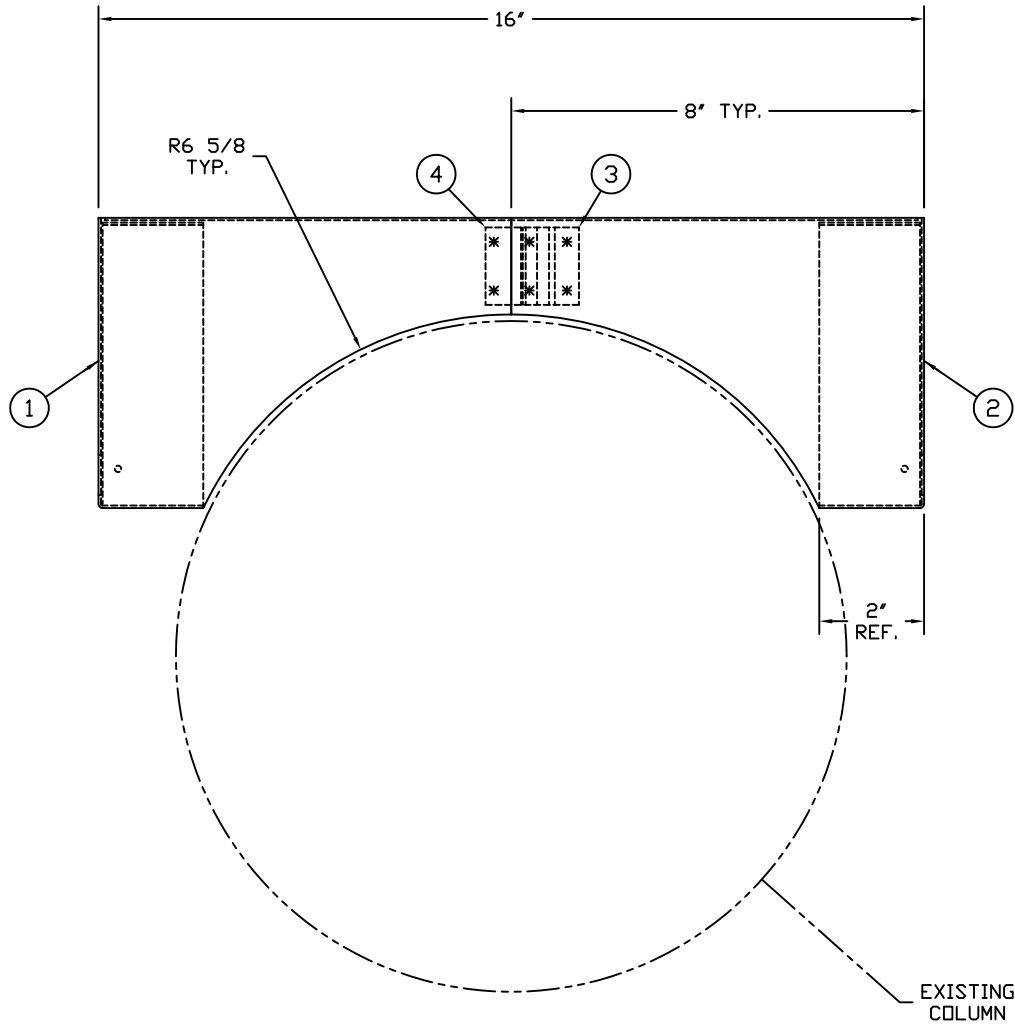
THIS PRINT AND ALL INFORMATION APPEARING THEREON IS THE PROPERTY OF THE STERLING RADIATOR DIVISION OF MESTEK INC. NEITHER THE PRINT NOR THE INFORMATION THEREON MAY BE REPRODUCED OR USED IN ANY MANNER WHATSOEVER OR DIVULGED TO ANY OTHER PERSON UNLESS SPECIFICALLY AUTHORIZED BY MESTEK INC.



THIS PRINT AND ALL INFORMATION APPEARING THEREON IS THE PROPERTY OF MESTEK INC. NEITHER THE PRINT NOR THE INFORMATION THEREON MAY BE REPRODUCED OR USED IN ANY MANNER WHATSOEVER OR DIVULGED TO ANY OTHER PERSON UNLESS SPECIFICALLY AUTHORIZED BY MESTEK INC.

C		N/A	CORRECTED VIEW	7/10/14	MDG				
B		N/A	REDESIGNED EXTENSIVELY	4/1/13	SFL	RJP			
A		N/A	REDESIGNED PER INFO FROM REP	3/25/13	RJP	SFL			
LET.	ECN NO.		REVISION	DATE	BY	APVD.			

Sterling Hydronic Products 260 North Elm Street Division of Westfield, MA 01085 Mestek, Inc.		C
DATE 3/19/13	DRN. BY RJP	JOB NAME: Cornwall CSD
CHK. BY SFL	SCALE 1=4	INSTALLATION DWG: 80697
TITLE FRONT & TOP VIEWS JVB-S24 FBS		DWG. NO. 80698 REV. C



VIEW A-A

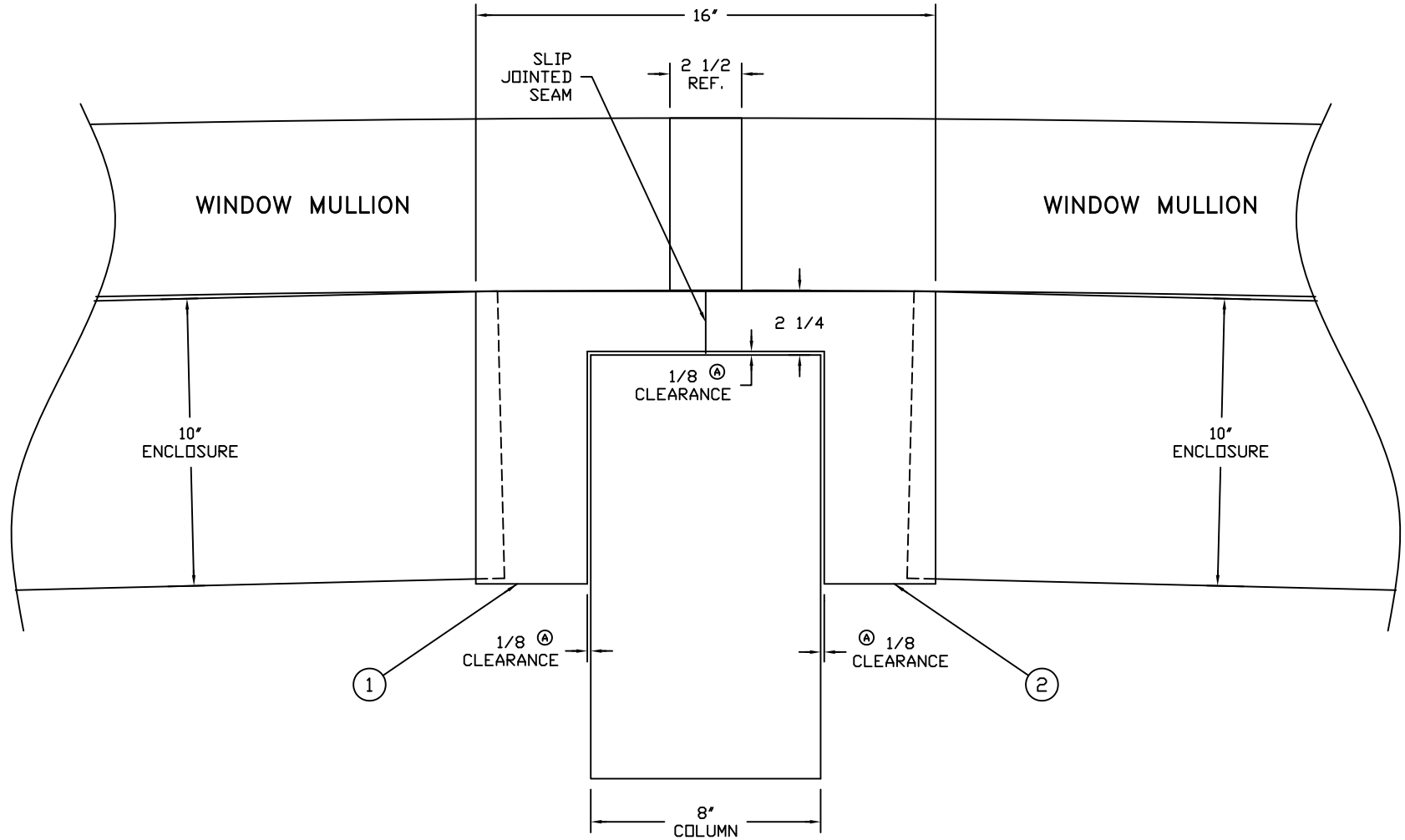
DO NOT SCALE DWG.
UNLESS OTHERWISE SPECIFIED
TOLERANCES
FRACTIONS ± 1/64
DECIMALS ± .010
ANGLES ± 1°
BEND RADII 1/32 I.S.
BREAK SHARP EDGES

4	WELD STRIP 1" x 1 1/2"		18 GA GALV	1
3	RETAINER x 1 1/2"	SRP-36063	18 GA GALV	1
②	WALL SLEEVE HALF RH		18 GA GALV	1
①	WALL SLEEVE HALF LH		18 GA GALV	1
ITEM	DESCRIPTION	DWG. NUMBER	MATERIAL	QTY

HYDRONIC HEATING PRODUCTS
260 North Elm St. Westfield, Mass. 01085
DIVISION OF HESTEK, INC.

DATE	1/30/06	JOB NAME	
DRN. BY	PCF	REFERENCE	
CHK. BY		SCALE	1=2


LET.	ECN NO.	REVISION	DATE	BY	APVD.	TITLE	DWG. NO.	REV.
						MITRED WALL SLEEVE ASS'Y. JVB-AR10 3/4	SRP-67512	



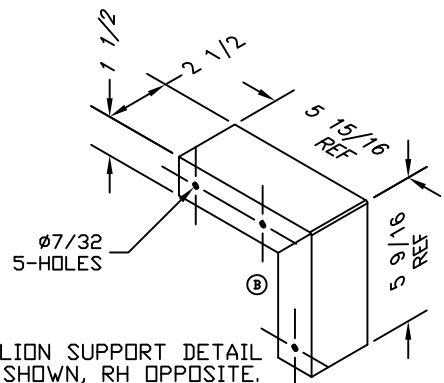
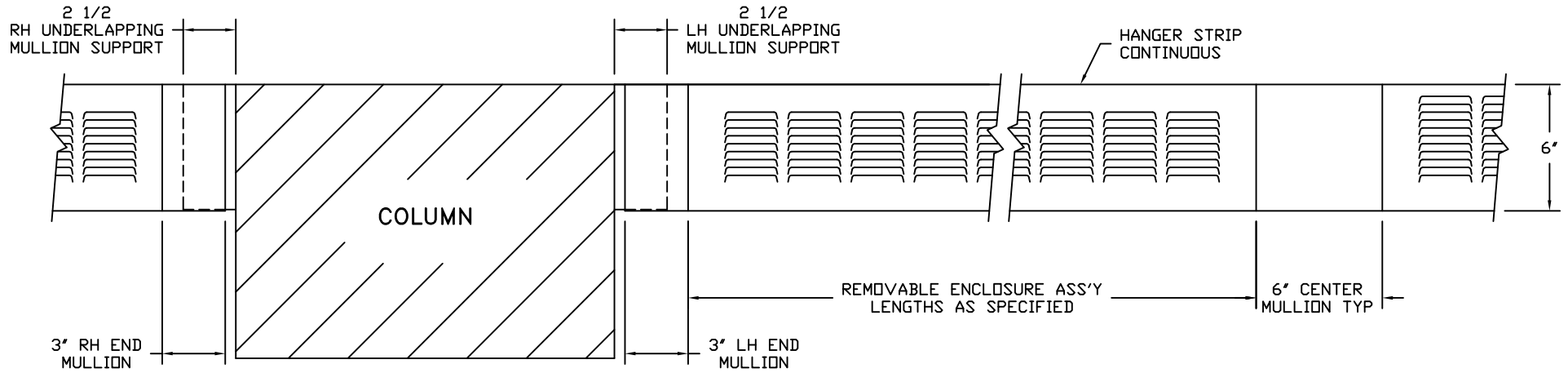
NOTES:

1. NOTCHED WALL SLEEVES ARE SLIP JOINTED.
2. SEE DRAWING 83109 FOR SEGMENTED CURVE LAYOUT & DRAWING 81054 FOR ENCLOSURE SECTION VIEW.

THIS PRINT AND ALL INFORMATION APPEARING THEREON IS THE PROPERTY OF MESTEK INC. NEITHER THE PRINT NOR THE INFORMATION THEREON MAY BE REPRODUCED OR USED IN ANY MANNER WHATSOEVER OR DIVULGED TO ANY OTHER PERSON UNLESS SPECIFICALLY AUTHORIZED BY MESTEK INC.

②	RH WALL SLEEVE ASS'Y	Ⓐ	83155	18 GA CRS
①	LH WALL SLEEVE ASS'Y	Ⓐ	83154	18 GA CRS
ITEM	DESCRIPTION	DWG NUMBER	MATERIAL	
Sterling Hydronic Products 260 North Elm Street Westfield, MA 01085 Division of  Mestek, Inc.				
DATE: 3/12/14	JOB NAME:	Harper College Building D		
DRN BY: MDG	ELEMENT:			
CKD BY: SFL	C44			
SCALE: 1=3	4 1/4 x 4 1/4 ALUMINUM FIN .020 50/FT			
TITLE: COLUMN WALL SLEEVE		DWG NO:	83122	REV: A
SUBMITTAL JV-T10, 10D TFLI				

A	N/A	REVISED CLEARANCES PER REP SKETCH AND ADDED DETAIL DRAWING NUMBERS	3/20/14	RJP	
LET	ECN NO	REVISION	DATE	BY	APVD



MULLION SUPPORT DETAIL
LH SHOWN, RH OPPOSITE.
SECURE TO COLUMN TO
SUPPORT END MULLIONS

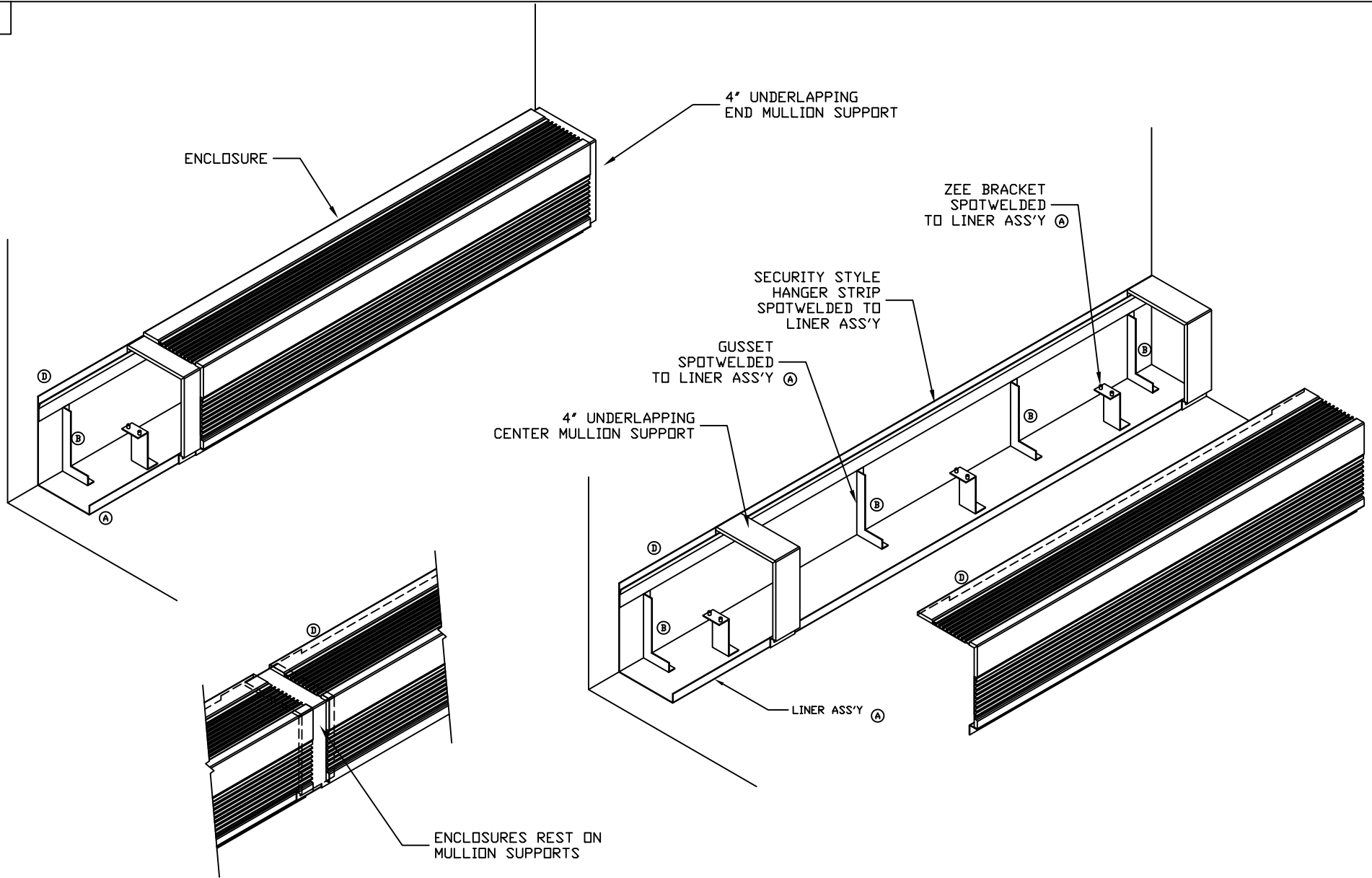
NOTES:

1. FOR INSTALLATION VIEWS
SEE DWG 85135.
2. END MULLION SUPPORTS UNDERLAP THE
OPEN ENDS ON RH/LH END MULLIONS.

THIS PRINT AND ALL INFORMATION
APPEARING THEREIN IS THE PROPERTY
OF MESTEK INC. NEITHER THE PRINT
NOR THE INFORMATION THEREON MAY
BE REPRODUCED OR USED IN ANY
MANNER WHATSOEVER OR DIVULGED
TO ANY OTHER PERSON UNLESS
SPECIFICALLY AUTHORIZED BY MESTEK INC.

Vulcan Hydronic Products 260 North Elm Street Westfield, MA 01085 Division of Mestek, Inc.				C
DATE: 11/20/14	JOB NAME: Rodino Office Building			
DRN BY: SFL				
CKD BY: RJP	ELEMENT: -			
SCALE: 1=4				
TITLE: PLAN VIEW	DWG NO: 85136		REV: B	
LV-T-5 5/8, 6D				

B	N/A	UPDATED ISO VIEW	12/24/14	SFL		
A	N/A	ADDED MULLION SUPPORT DETAIL	11/26/14	SFL	RJP	
LET	ECN NO	REVISION	DATE	BY	APVD	

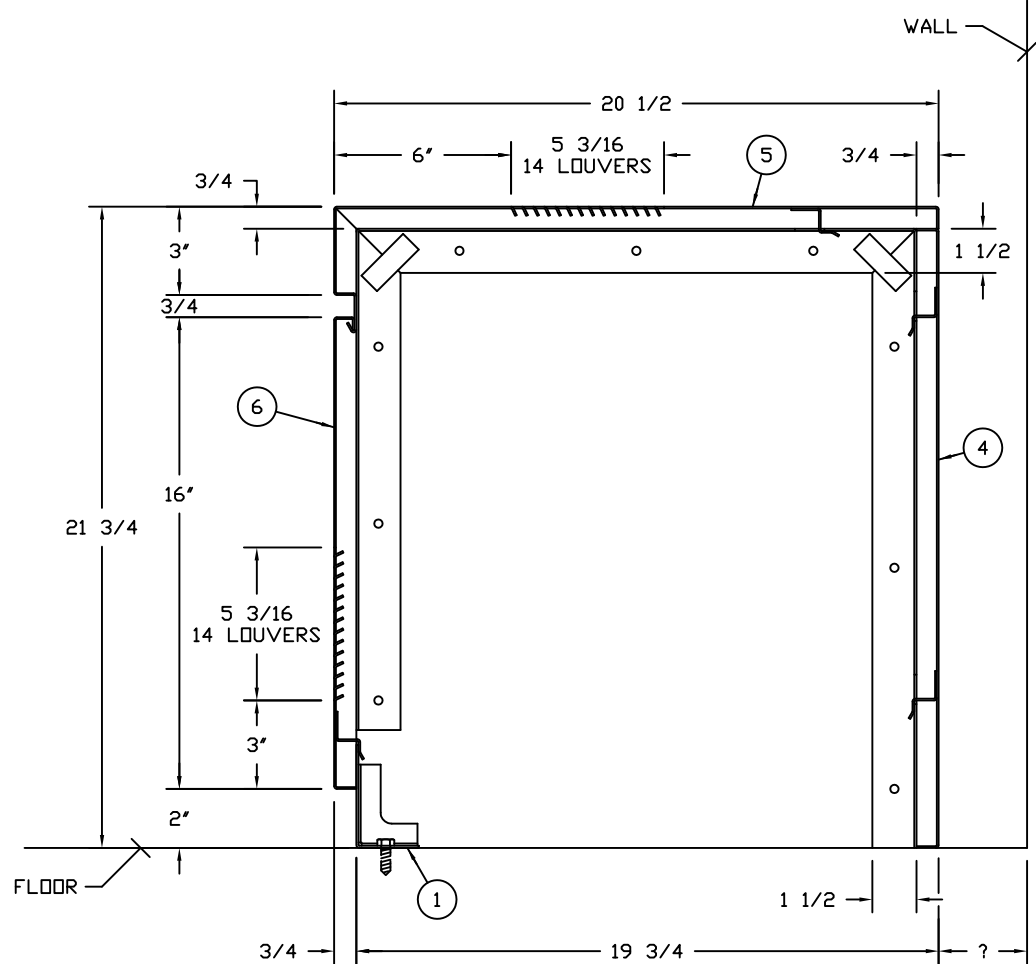
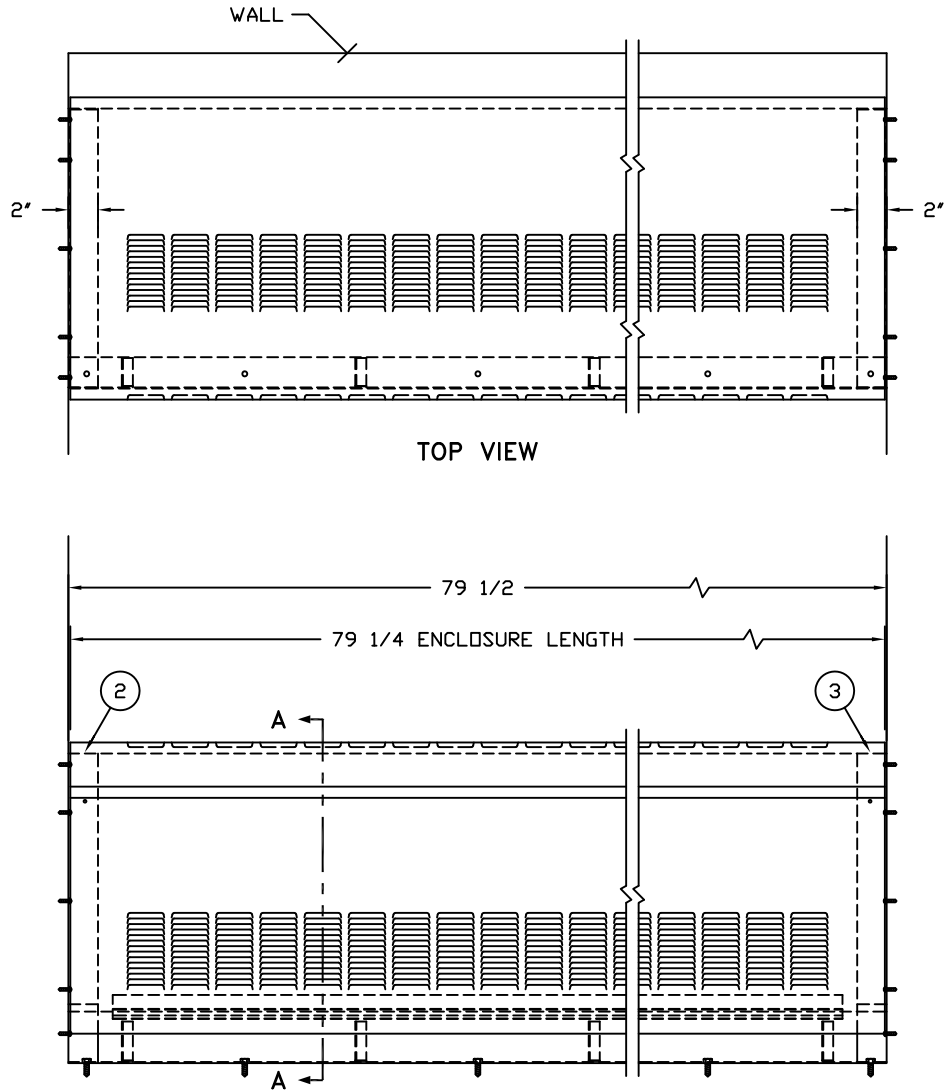


NOTES:

1. SEE 78273 FOR SECTION VIEW.
2. UNLESS OTHERWISE SPECIFIED FASTENERS ARE BY OTHERS.

THIS PRINT AND ALL INFORMATION APPEARING THEREIN IS THE PROPERTY OF MESTEK INC. NEITHER THE PRINT NOR THE INFORMATION THEREIN MAY BE REPRODUCED OR USED IN ANY MANNER WHATSOEVER OR DIVULGED TO ANY OTHER PERSON UNLESS SPECIFICALLY AUTHORIZED BY MESTEK INC.

HYDRONIC HEATING PRODUCTS										C
260 North Elm St. Westfield, Mass. 01085										
DIVISION OF MESTEK, INC.										
DATE 1/24/12		JOB NAME John Hopkins UTL Project								
DRN. BY RJP		ELEMENT								
CHK. BY SFL		SCALE 1=8								
TITLE ISOMETRIC VIEWS		DWG. NO. 78274		REV. D						
AR10 7 1/4 D TFEI ©										
D	N/A	REVISED LINER & NOTCHED COVER	8/29/12	MDG						
C	N/A	DEPTH WAS 7 3/4	6/7/12	SFL	RJP					
B	N/A	REDESIGNED GUSSET	6/5/12	SFL	RJP					
A	N/A	ADDED LINER ASS'Y	4/3/12	MDG	RJP					
LET.	ECN NO.	REVISION	DATE	BY	APVD.					



SECTION A-A
SCALE: 2X

NOTE:

1. UNLESS OTHERWISE SPECIFIED
FASTENERS ARE BY OTHERS.

THIS PRINT AND ALL INFORMATION APPEARING THEREON IS THE PROPERTY OF MESTEK INC. NEITHER THE PRINT NOR THE INFORMATION THEREON MAY BE REPRODUCED OR USED IN ANY MANNER WHATSOEVER OR DIVULGED TO ANY OTHER PERSON UNLESS SPECIFICALLY AUTHORIZED BY MESTEK INC.

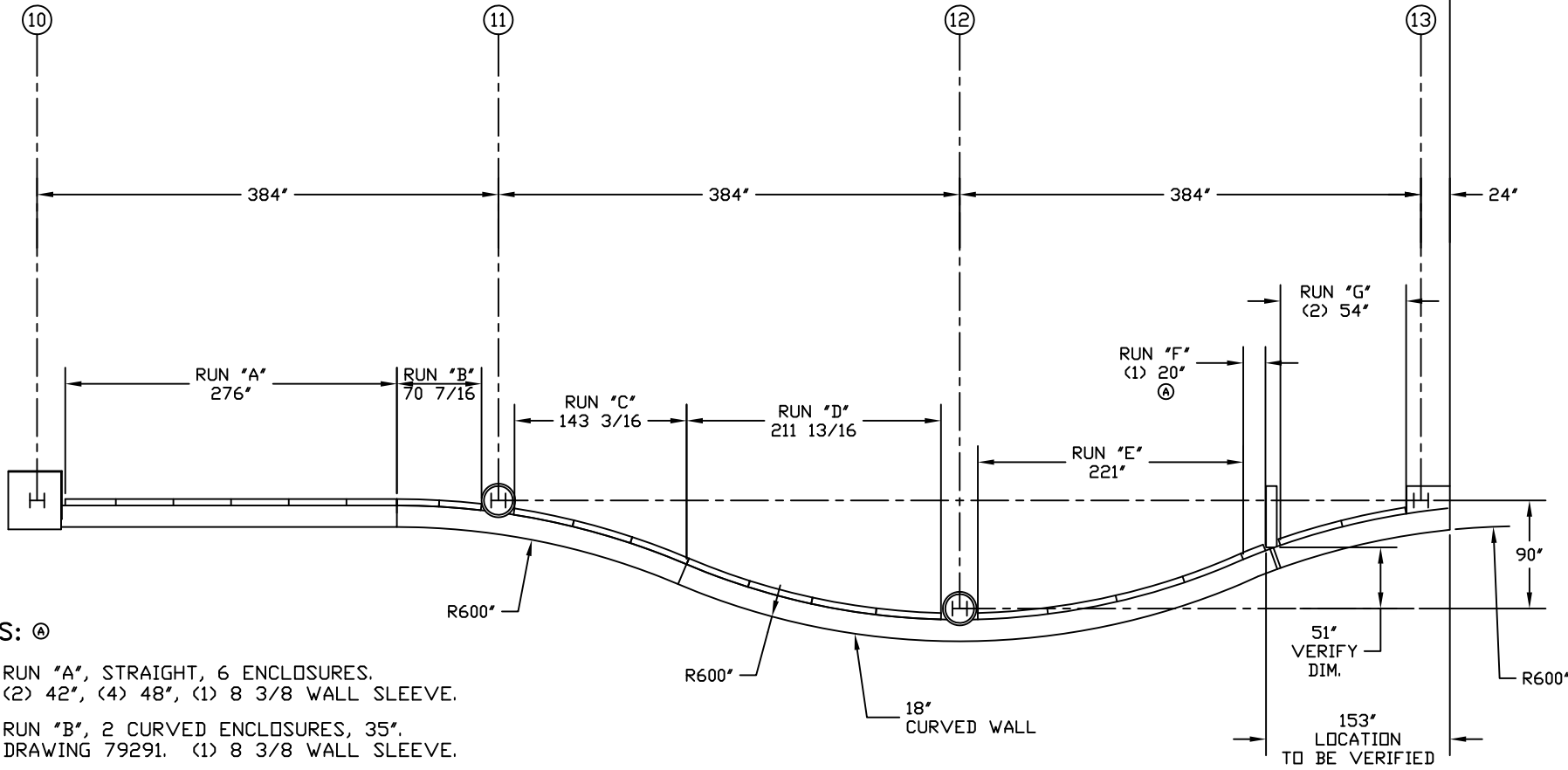
6	FRONT ASS'Y	A	90620	16 GA CRS
5	TOP ASS'Y	A	90618	16 GA CRS
4	BACK ASS'Y	A	90616	16 GA CRS
3	RH END SUPPORT	A	90614	14 GA CRS
2	LH END SUPPORT	A	90614	14 GA CRS
1	FLOOR ANGLE ASS'Y	A	90611	14 GA CRS
ITEM	DESCRIPTION	DWG NUMBER	MATERIAL	

Sterling Hydronic Products
260 North Elm Street Westfield, Ma 01085
Division of **Mestek, Inc.**

C

DATE: 8/1/16	JOB NAME:	WeWork Lobby
DRN BY: RJP	ELEMENT:	
CKD BY: SFL		
SCALE: 1=7		

A	N/A	ADDED DETAIL DRAWING NUMBERS	8/8/16	RJP		TITLE: SUBMITTAL	DWG NO: 90505	REV: A
LET	ECN NO	REVISION	DATE	BY	APVD	V-T21 3/4, 20 1/2D		



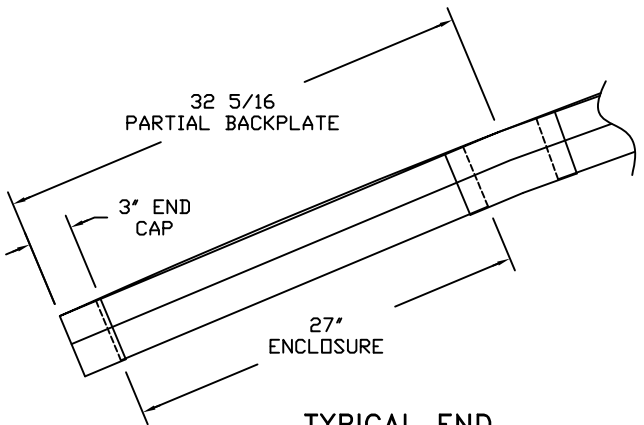
NOTES: A

1. RUN "A", STRAIGHT, 6 ENCLOSURES.
(2) 42", (4) 48", (1) 8 3/8 WALL SLEEVE.
2. RUN "B", 2 CURVED ENCLOSURES, 35".
DRAWING 79291. (1) 8 3/8 WALL SLEEVE.
3. RUN "C", 3 CURVED ENCLOSURES, 50 1/16".
DRAWING 79296. (1) 8 3/8 WALL SLEEVE.
4. RUN "D", 4 CURVED ENCLOSURES, 54 1/2".
DRAWING 79301. (1) 8 3/8 WALL SLEEVE.
5. RUN "E", 4 CURVED ENCLOSURES,
(3) 58 1/2, DRAWING 79306
(1) 52 1/2, DRAWING 79311
- ⓐ (1) 44", DRAWING 79749
(1) 8 3/8 WALL SLEEVE.
6. RUN "F", 1 CURVED ENCLOSURE, 20", DRAWING 79316,
ⓑ RUN "F", 1 CURVED ENCLOSURE, 39", DRAWING 79754
RUN "G", 2 CURVED ENCLOSURES, 54", DRAWING 79321
7. WALL SLEEVES REQUIRE FIELD MODIFICATION TO FIT AROUND COLUMNS AND WALLS.
8. FOR INSTALLATION CROSS-SECTION VIEW SEE 78838.

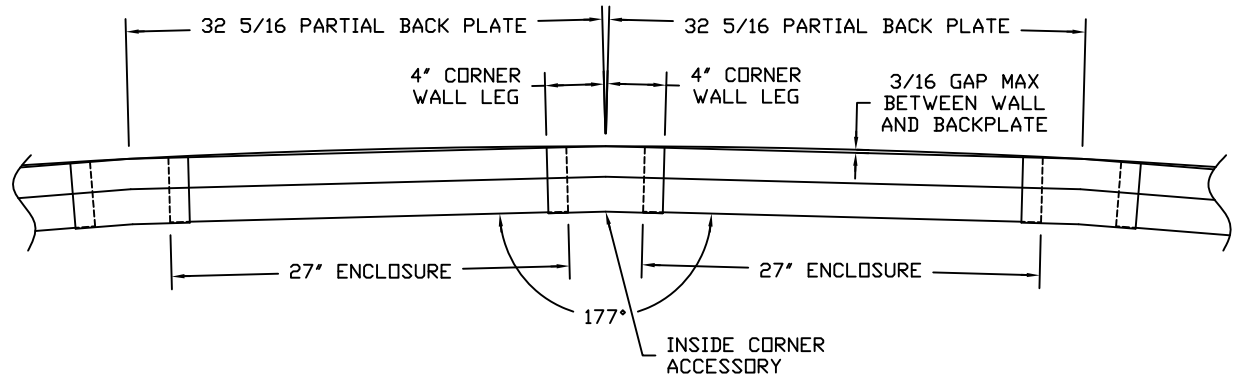
THIS PRINT AND ALL INFORMATION APPEARING THEREIN IS THE PROPERTY OF MESTEK INC. NEITHER THE PRINT NOR THE INFORMATION THEREON MAY BE REPRODUCED OR USED IN ANY MANNER WHATSOEVER OR DIVULGED TO ANY OTHER PERSON UNLESS SPECIFICALLY AUTHORIZED BY MESTEK INC.

HYDRONIC HEATING PRODUCTS				C
260 North Elm St. Westfield, Mass. 01085 DIVISION OF MESTEK, INC.				
DATE	5/21/12	JOB NAME		
DRN. BY	SFL	William Beaumont Hospital		
CHK. BY	MDG	ELEMENT	C144 COPPER TUBE	
SCALE	1=75	4 1/4 x 4 1/4 ALUMINUM FIN .020 40/FT		
TITLE		INSTALLATION-PLAN VIEW		DWG. NO.
		JVB-T14 CURVED		78839
REV.				B

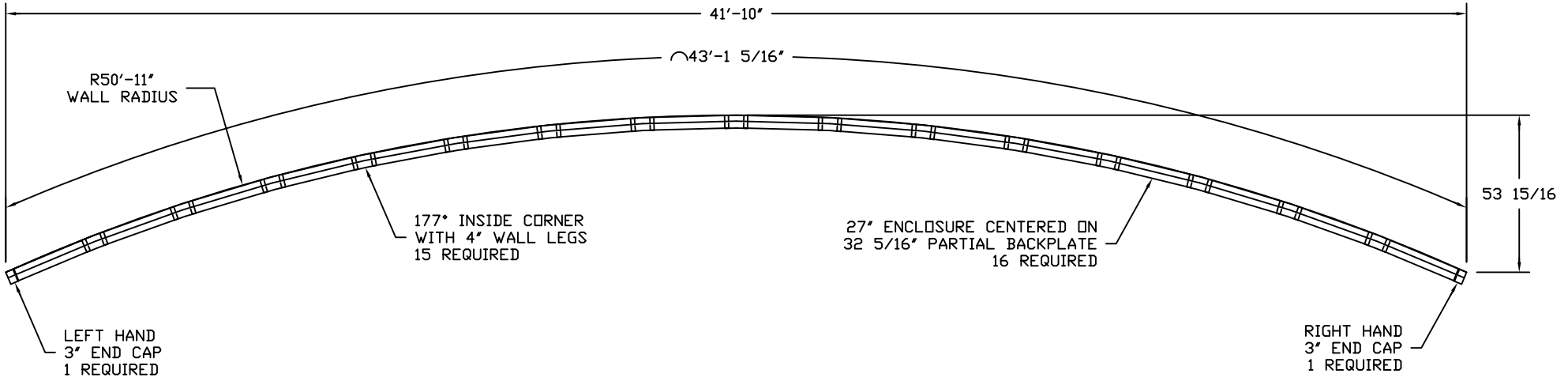
B	N/A	ADDED DETAILS IN NOTES FOR 39" & 44"	9/26/12	SFL	
A	N/A	ADDED DETAILS IN NOTES, 20" WAS 14"	7/25/12	SFL	RJP
LET.	ECN NO.	REVISION	DATE	BY	APVD.



TYPICAL END
SCALE: 4X



TYPICAL CURVE SEGMENTS
SCALE: 4X



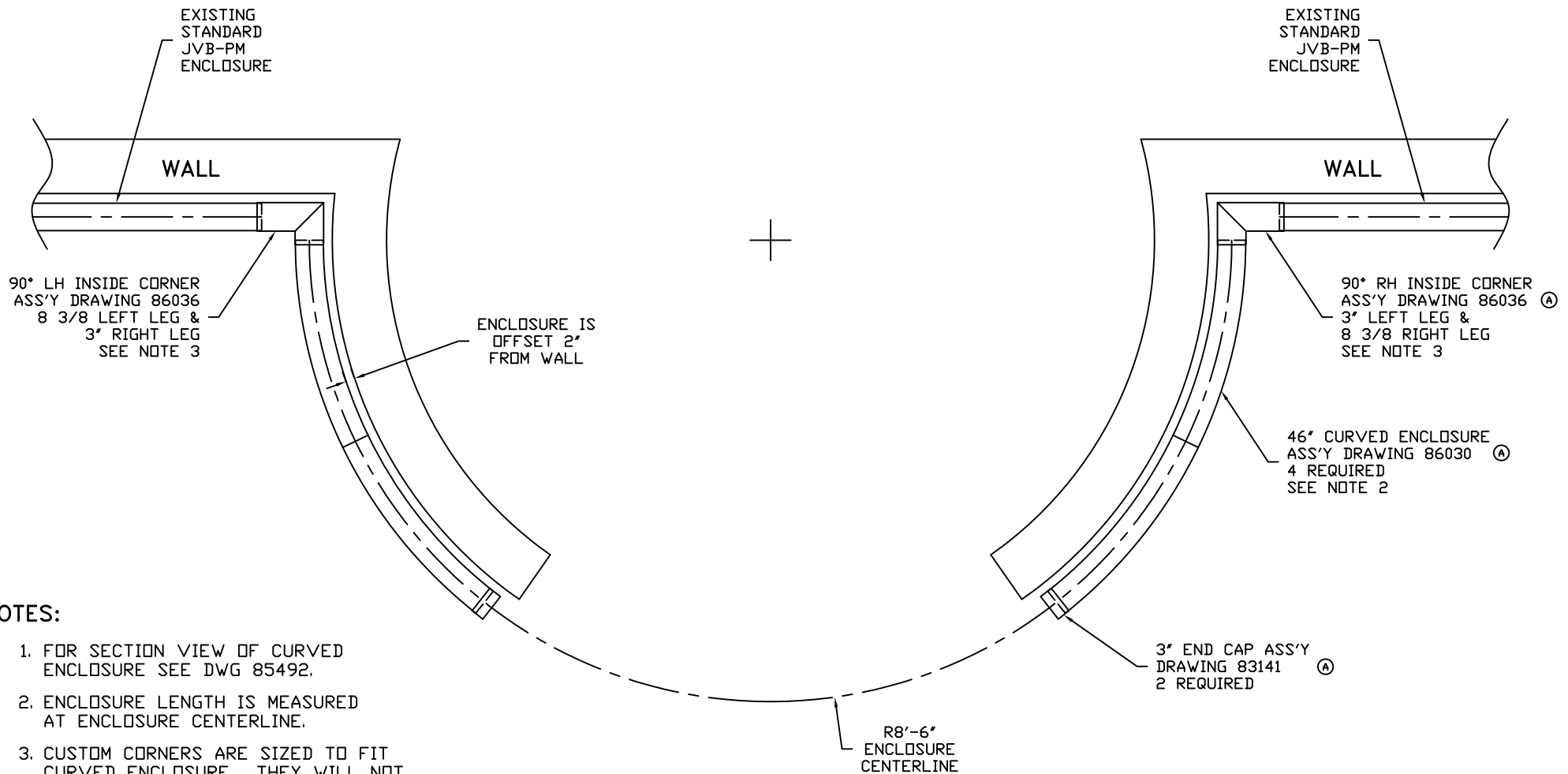
NOTES:

1. SEE DRAWING 83230 FOR ENCLOSURE INSTALLATION SECTION VIEW.
2. END CAP AND CORNER ACCESSORIES ARE OVERLAPPING.

THIS PRINT AND ALL INFORMATION APPEARING THEREON IS THE PROPERTY OF MESTEK INC. NEITHER THE PRINT NOR THE INFORMATION THEREON MAY BE REPRODUCED OR USED IN ANY MANNER WHATSOEVER OR DIVULGED TO ANY OTHER PERSON UNLESS SPECIFICALLY AUTHORIZED BY MESTEK INC.

Sterling Hydronic Products 260 North Elm Street Westfield, MA 01085 Division of Mestek, Inc.		C
DATE: 4/8/14	JOB NAME: VMA ORCHESTRA PIT	
DRN BY: MDG	ELEMENT: -	
CKD BY: -	SCALE: 1=28	
TITLE: SEGMENTED CURVE LAYOUT JVA-S11		DWG NO: 83231
REV: -	REV: -	

-	-	-	-	-	-
LET	ECN NO	REVISION	DATE	BY	APVD



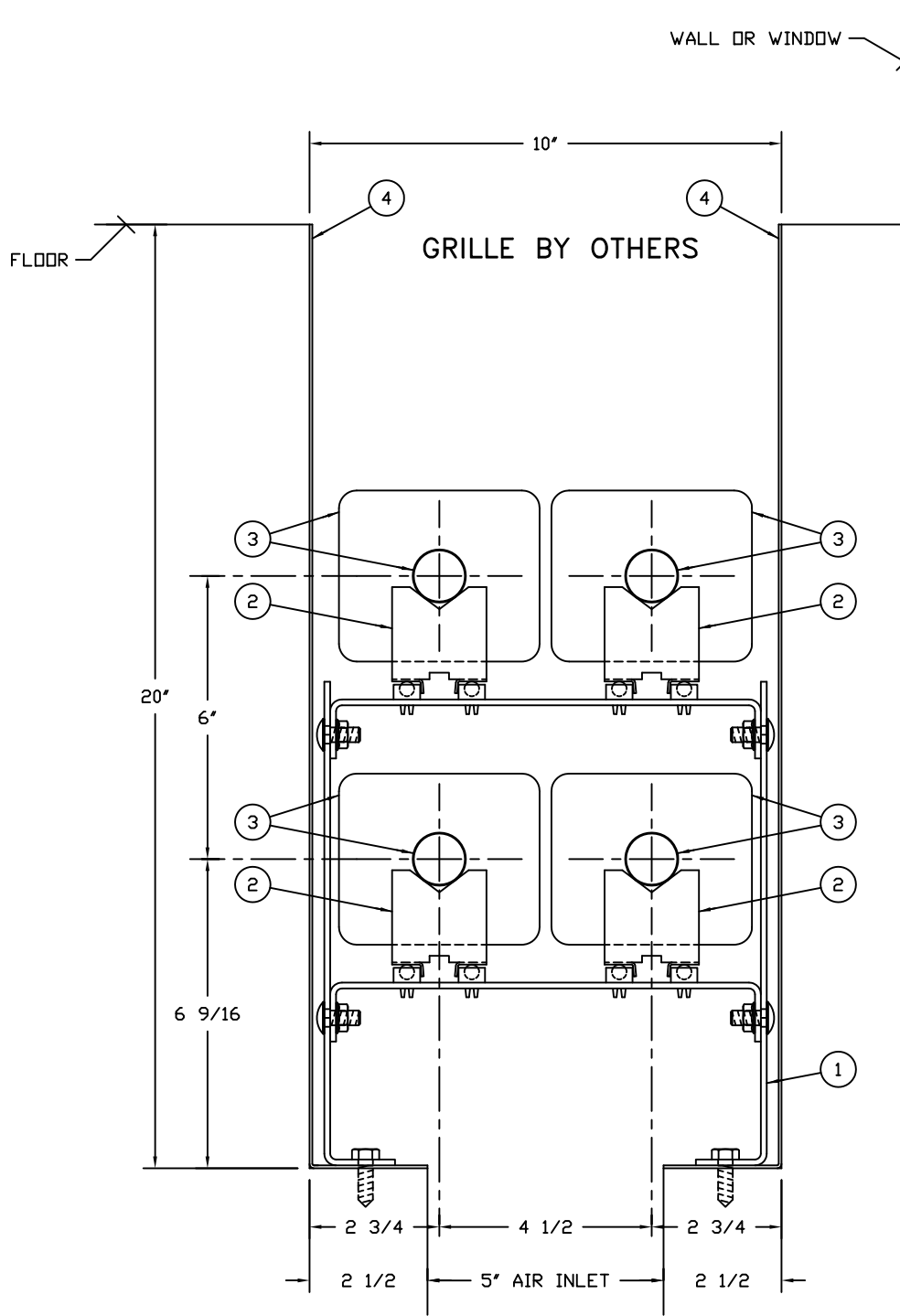
NOTES:

1. FOR SECTION VIEW OF CURVED ENCLOSURE SEE DWG 85492.
2. ENCLOSURE LENGTH IS MEASURED AT ENCLOSURE CENTERLINE.
3. CUSTOM CORNERS ARE SIZED TO FIT CURVED ENCLOSURE. THEY WILL NOT FORM FIT THE STANDARD ENCLOSURE.
4. ACCESSORIES ARE SHOWN WITH A 1" OVERLAP TYPICAL.

THIS PRINT AND ALL INFORMATION APPEARING THEREON IS THE PROPERTY OF MESTEK INC. NEITHER THE PRINT NOR THE INFORMATION THEREON MAY BE REPRODUCED OR USED IN ANY MANNER WHATSOEVER OR DIVULGED TO ANY OTHER PERSON UNLESS SPECIFICALLY AUTHORIZED BY MESTEK INC.

Sterling Hydronic Products 260 North Elm Street Westfield, MA 01085 Division of Mestek, Inc.		C
DATE: 1/13/15	JOB NAME: Putnam Hospital	
DRN BY: MDG	ELEMENT: -	
CKD BY: SFL	SCALE: 1=18	
TITLE: PLAN VIEW JVB-PM CURVED		DWG NO: 85493
REV: A		REV: A

A	N/A	ADDED DETAIL DWG NUMBERS	3/23/15	RJP	
LET	ECN NO	REVISION	DATE	BY	APVD



Water Rating:
2150 Btu/Lin Ft/Hr
170°F. Average Water
65°F. Entering Air

NOTE:

1. UNLESS OTHERWISE SPECIFIED FASTENERS ARE BY OTHERS.

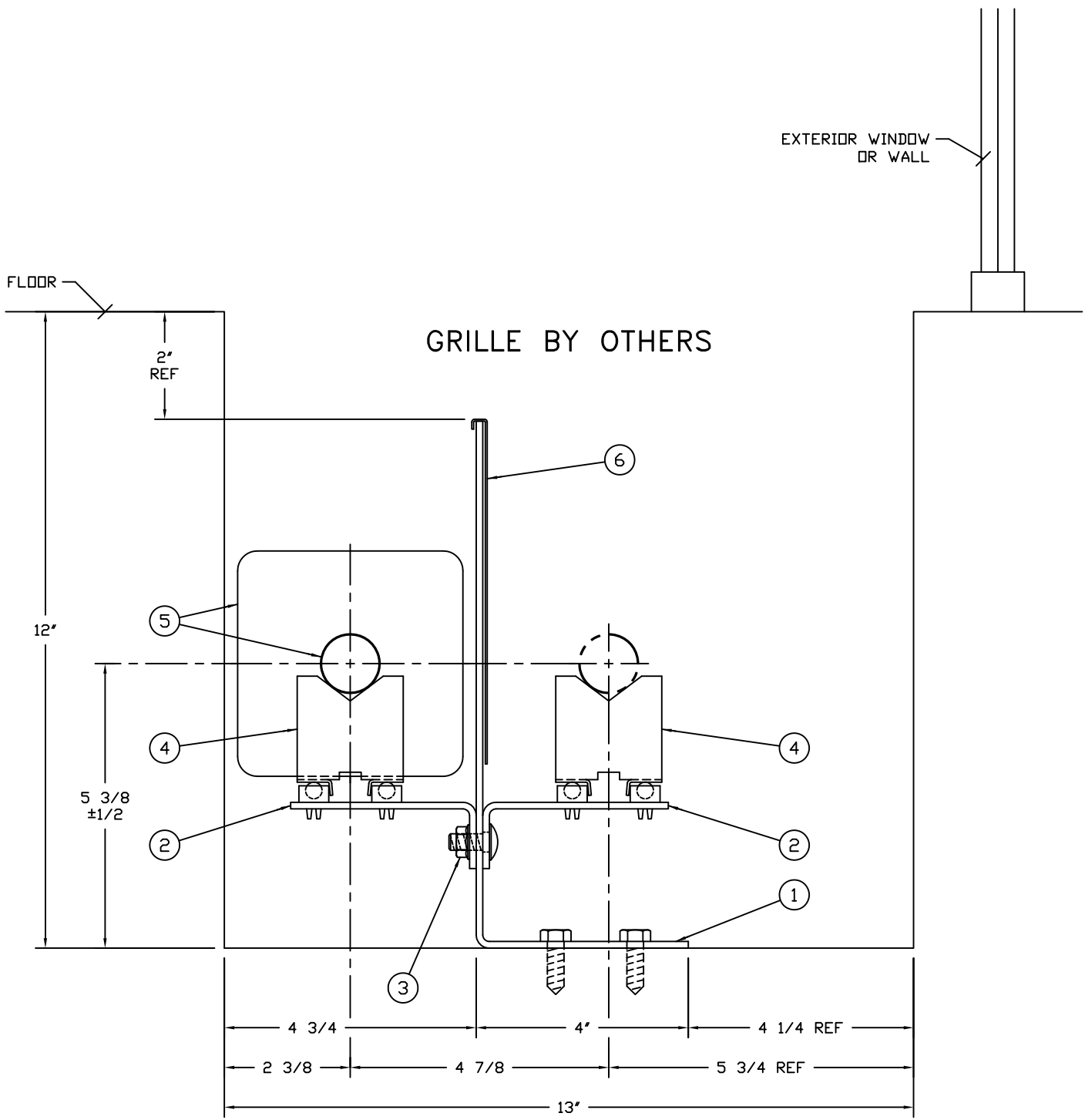
ITEM	DESCRIPTION	DWG NUMBER	MATERIAL
④	LINER	-	16 GA GAL
3	ELEMENT - SEE BELOW	21862	CU/ALU
2	CRADLE ASS'Y #2	8740	18 GA GAL
①	BRACKET ASS'Y	-	1/8 CRS

Sterling Hydronic Products
260 North Elm Street Westfield, Ma 01085
Division of  Mestek, Inc.

DATE: 6/22/16 JOB NAME: Harvard Smith TR-F
 DRN BY: MDG
 CKD BY: - ELEMENT: C435 1' COPPER TUBE
 SCALE: 1=1.5 3 5/8 x 4 1/4 ALUMINUM FIN .020 50/FT

THIS PRINT AND ALL INFORMATION APPEARING THEREON IS THE PROPERTY OF MESTEK INC. NEITHER THE PRINT NOR THE INFORMATION THEREON MAY BE REPRODUCED OR USED IN ANY MANNER WHATSOEVER OR DIVULGED TO ANY OTHER PERSON UNLESS SPECIFICALLY AUTHORIZED BY MESTEK INC.

LET	ECN NO	REVISION	DATE	BY	APVD	TITLE	DWG NO	REV
-	-	-	-	-	-	INSTALLATION TROUGH	90184	-



NOTES:

- 1. UNLESS OTHERWISE SPECIFIED FASTENERS ARE BY OTHERS.
- 2. 1" COPPER RETURN PIPE SHOWN IS BY OTHERS.

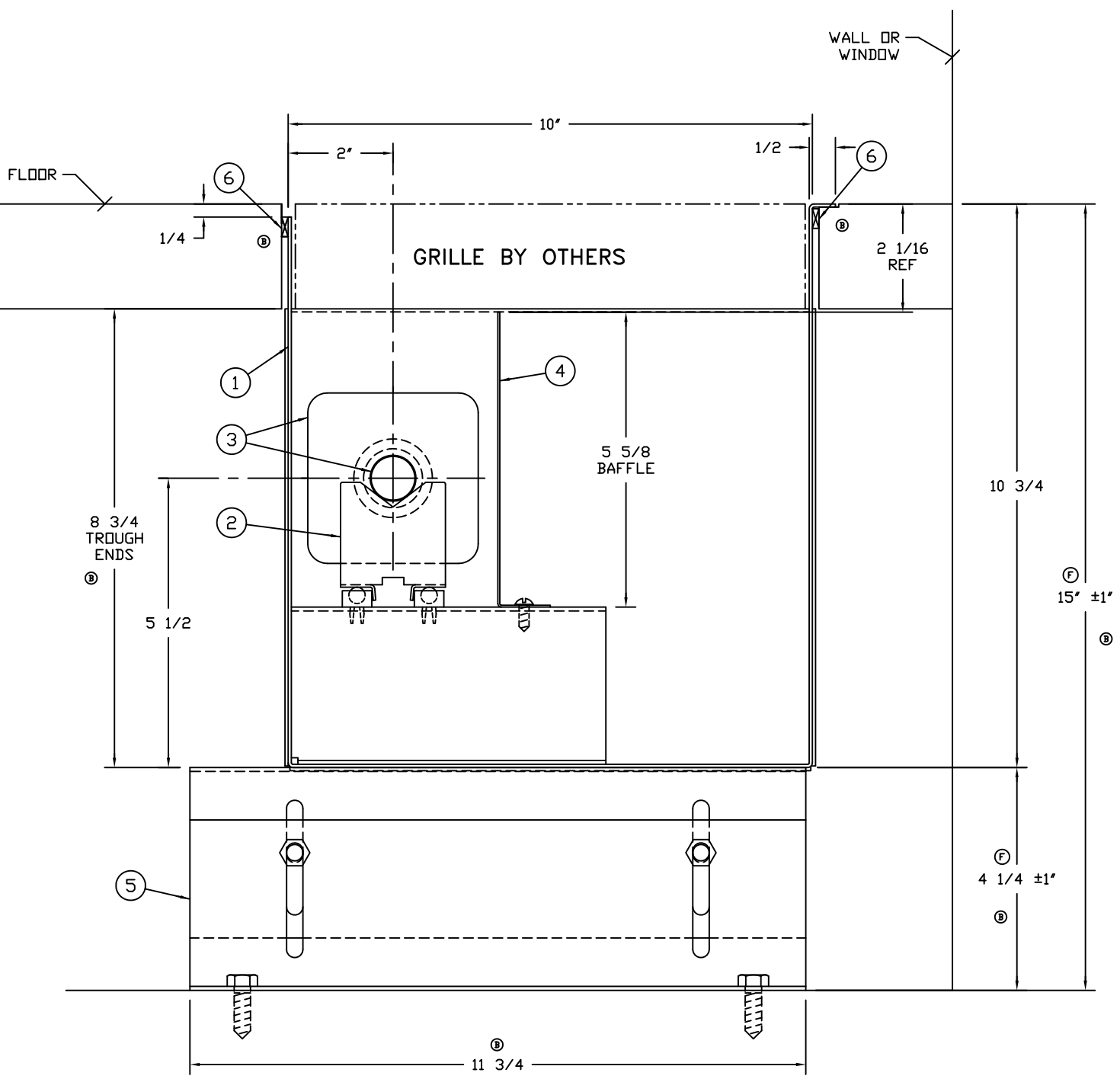
ITEM	DESCRIPTION	DWG NUMBER	MATERIAL
6	BAFFLE	66519-016	20 GA GAL
5	ELEMENT - SEE BELOW	-	CU/ALU
4	CRADLE #2	8740	18 GA GAL
3	NUT & BOLT 5-16-18 x 3/4	55N&B	STEEL
2	ELEMENT SUPPORT ASS'Y	57601	AS SPEC
1	BRACKET	86182	1/8 CRS

Sterling Hydronic Products
 280 North Elm Street Westfield, MA 01085
 Division of Mestek, Inc.

DATE: 4/8/15 JOB NAME: Good Samaritan Hospital
 DRN BY: RJP
 CKD BY: - ELEMENT: C43 1" COPPER TUBE
 SCALE: 1=1.5 4 1/4 x 4 1/4 ALUMINUM FIN .020 32/FT

THIS PRINT AND ALL INFORMATION APPEARING THEREIN IS THE PROPERTY OF MESTEK INC. NEITHER THE PRINT NOR THE INFORMATION THEREIN MAY BE REPRODUCED OR USED IN ANY MANNER WHATSOEVER OR DIVULGED TO ANY OTHER PERSON UNLESS SPECIFICALLY AUTHORIZED BY MESTEK INC.

LET	ECN NO	REVISION	DATE	BY	APVD	TITLE	DWG NO	REV
-	-	-	-	-	-	INSTALLATION TROUGH	86167	-



NOTES:

- 1. UNLESS OTHERWISE SPECIFIED FASTENERS ARE BY OTHERS.
- 2. - Ⓣ
- 3. TROUGH LINER LENGTH: 5' CLOSED ENDS WITH GROMMETED THRU HOLES FOR ELEMENT TUBE.
- 4. DRILL & SECURE BAFFLE TO ELEMENT SUPPORTS IN FIELD.

Ⓣ Water Rating:
405 Btu/Lin Ft/Hr
133°F. Average Water
65°F. Entering Air

6	SPONGE RUBBER GASKET	J37-16000	FOAM RUBBER
⑤	ZEE BASE ASS'Y	Ⓣ (A)Ⓢ 83929	14 GA CRS
④	BAFFLE	(A) 83928	20 GA GALV
③	ELEMENT - SEE BELOW	Ⓣ 84915	CU/ALUM
2	CRADLE #2	8740	18 GA GALV
①	TROUGH LINER ASS'Y	Ⓣ (A)Ⓢ 83924	16 GA CRS
ITEM	DESCRIPTION	DWG NUMBER	MATERIAL

Sterling Hydronic Products
280 North Elm Street Westfield, MA 01085
Division of Mestek, Inc.

C

DATE: 6/6/14 JOB NAME: New Balance Headquarters
DRN BY: MDG ELEMENT: C3/4-35 3/4 COPPER TUBE
CKD BY: RJP SCALE: 1=1.5 3 1/4 x 3 1/4 ALUMINUM FIN .020 50/FT
TITLE: INSTALLATION TROUGH DWG NO: 83816 REV: F

F	N/A	4 1/4 ±1" WAS 3 1/4, REMOVED NOTE 2, 15" ±1" WAS 14"	11/18/14	RJP	
E	N/A	ADDED RATING	10/29/14	SFL	RJP
D	N/A	ITEM 3 WAS 21858	10/21/14	SFL	RJP
C	N/A	ADDED DETAILS	9/18/14	SFL	MDG
B	N/A	REV'D PER REP SKETCHES, WAS 15" OVERALL	9/16/14	MDG	SFL
A	N/A	ADDED DETAILS	6/19/14	SFL	RJP
LET	ECN NO	REVISION	DATE	BY	APVD

THIS PRINT AND ALL INFORMATION APPEARING THEREON IS THE PROPERTY OF MESTEK INC. NEITHER THE PRINT NOR THE INFORMATION THEREON MAY BE REPRODUCED OR USED IN ANY MANNER WHATSOEVER OR DIVULGED TO ANY OTHER PERSON UNLESS SPECIFICALLY AUTHORIZED BY MESTEK INC.